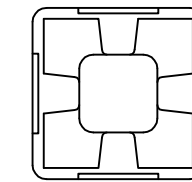
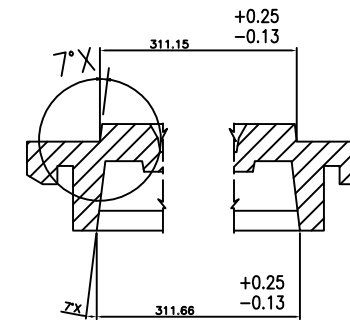


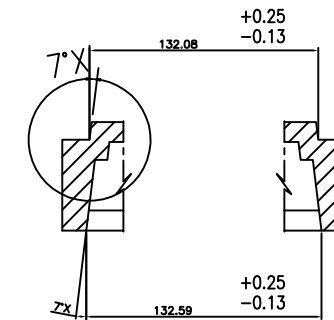
CAVITY



CAVITY(BACK)



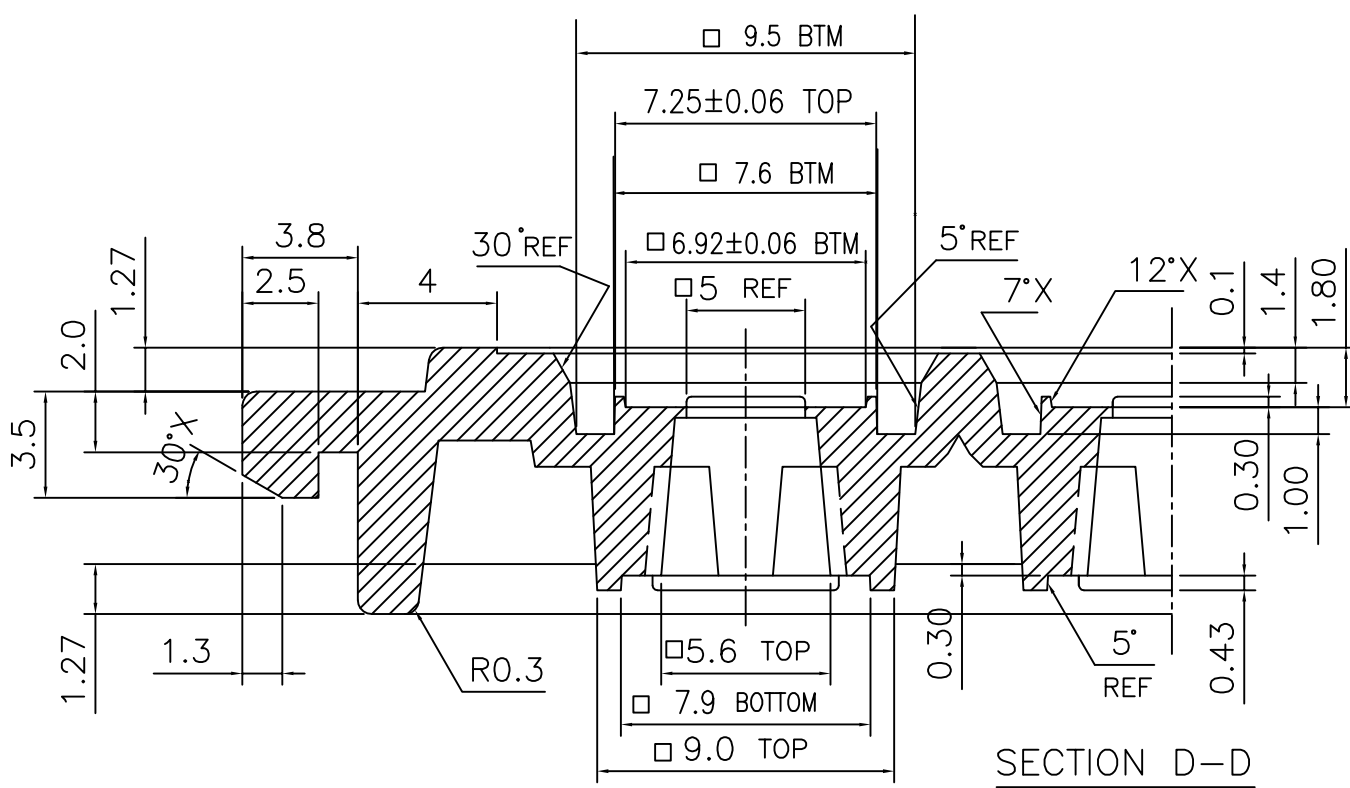
SECTION E-E



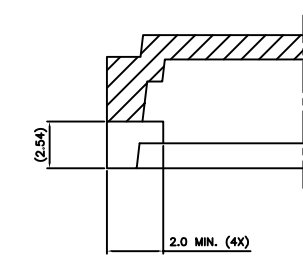
SECTION F-F

(C-1) Darwing Line Modify

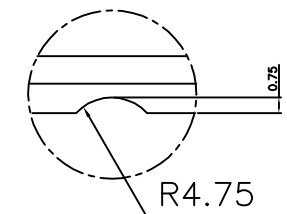
(D) Darwing Line Modify



SECTION D-D



SECTION E-E



DETAIL : C

- NOTE:
- HEAT RESISTANCE UP TO 24 HOURS 150 °c.
 - SURFACE RESISTIVITY IS WITHIN $10^{11} \Omega$ /sq.
 - COLOR: BLACK.
 - WARPAGE: LESS THAN 0.76mm.
 - GENGRAL TOLERANCE: X= ± 0.5
X.X= ± 0.25
X.XX= ±±0.13
 - MATERIAL : POLYESTER THERMOPLASTIC ELASTOMER(P.P.E)
 - FORBID USING THE FIRST CLASS ENVIRONMENT RESTRICTS SUBSTANCES MATERIAL

REV NO		VIOD DIM → NEW DIM		SIGN	DATE	TITLE : TQFP (C-1) 7X7X1.4mm JEDEC STANDARD THIN MATRIX TRAY	
(D)	1.Darwing Line Modify 2.10 ² -10 ¹ 3.ADD NOTE 6&7	JOHN	2007.01.15	APPR.	DAVID LOU	DWG NO.	TJ-001
(C-1)	(1) Darwing Line Modify (2) 7X7 1.4mm→7X7X1.4mm	Daniel	2004.3.11	QM.	G. L. WANG	REV NO.	D
				CHK.	Alex Wang	DATE	2001.2.28
		(B)	ALEX WANG	2001.2.28	DEN.	LEON	SHT NO. 1/1
SUNRISE PLASTICS INDUSTRY CO., LTD.							