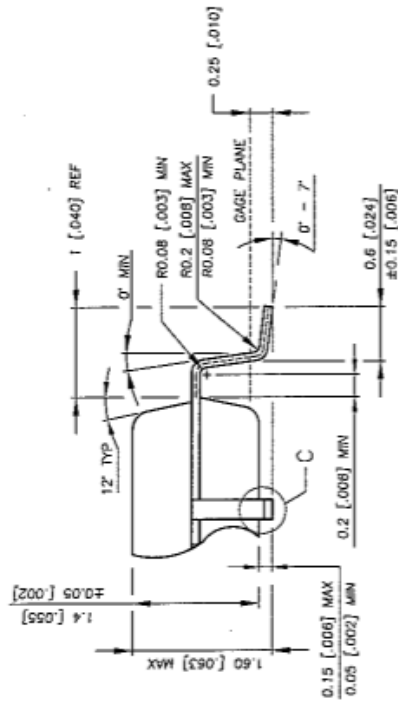
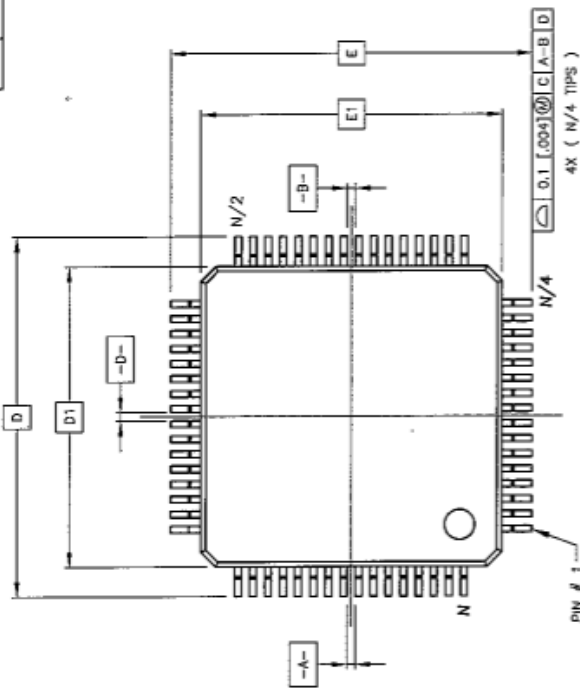


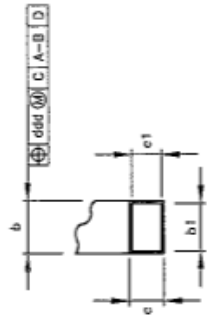
REV	DESCRIPTION	DATE	BY	REV	DESCRIPTION	DATE	BY
K	CHANGE DRAFT ANGLE FR 12±1° TO 12° TYP	09JUL02	ANANG/PD	F	ADD NOTE, 52L (10x10), 80L & 120L (14x14)	16JAN01	ANANG/PD
L	ADD 64L LOFP 7X7X1.4	12SEP05	SUHANA/PE	G	CHANGE COPLA & BENT LEAD FF: 32L 7X7 FR 0.08 [.003] & FR 0.15 [.006] 44L 10X10 FR 0.08 [.003] & FR 0.15 [.006] 52L 10X10 FR 0.08 [.003] & FR 0.15 [.006] 64L 14X14 FR 0.08 [.003] & FR 0.15 [.006] 80L 14X14 FR 0.08 [.003]	22AUG01	ANANG/PD
M	CHANGE COMPANY NAME & LOGO UPDATE JEDEC REF. REVISION	22FEB08	AGUS S/PE	H	ADD 12BL LOFP 14x14x1.4	30JAN02	ANANG/PD
				J	ADD 48L LOFP 12x12x1.4	15MAY02	ANANG/PD



DETAIL "B"



DETAIL "A"



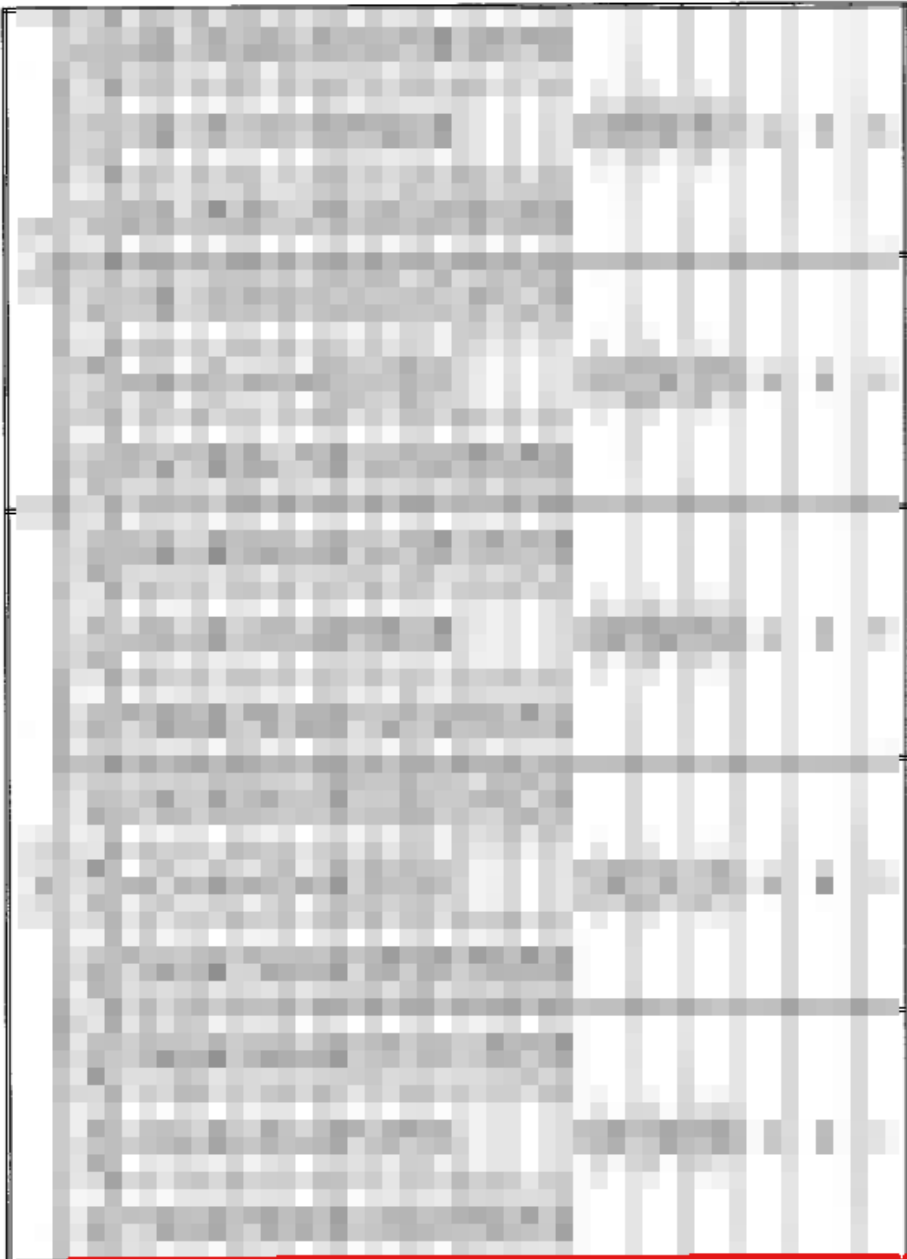
DETAIL "C"

- NOTES :
1. DIMENSIONS D1 AND E1 DO NOT INCLUDE MOLD PROTRUSION. ALLOWABLE PROTRUSION IS 0.25 [.010] PER SIDE. D1 AND E1 ARE MAXIMUM PLASTIC BODY SIZE DIMENSIONS INCLUDING MOLD MISMATCH.
 2. THE TOP PACKAGE BODY SIZE MAY BE SMALLER THAN THE BOTTOM BODY SIZE BY AS MUCH AS 0.15 [.006].
 3. DRAWING CONFORMS TO JEDEC MS-026 REV. D. \triangle
 4. CONTROLLING DIMENSION IN MM.

REVISION	UNIT	DATE	TITLE
	MM(INCH)	22FEB08	FINISHED LOFP PACKAGE OUTLINE DRAWING
APPROVAL			
DRAWN: AGUS S		3/9/08	
CHECKED: JUNAUDY		3/9/08	
APPROVED: MUSTANIR		3/9/08	
RELEASED: DOCON		3/9/08	

		Jalan S. Pierman Kav. 201 Baleendah Industrial Park, Muha Kuning Baleendah 20433, Indonesia Telp. (02)-770-611888 Fax: (02)-770-611555	
DRAWING NO.	DG 4966	REV.	M
SCALE	DO NOT SCALE	SHEET	1 OF 3

	7x7		
S _y	MIN	NOM	MAX
M	8.8	9	9.2
B	.346	.354	.362
O	6.9	7	7.1
L	.272	.276	.280
D	8.8	9	9.2
D1	.346	.354	.362
E	6.9	7	7.1
E1	.272	.276	.280
b	0.17	0.22	0.27
b1	.007	.009	.011
c	0.17	0.2	0.23
c1	.007	.008	.009
e	0.09		0.2
ccc	.004		.008
ddd	0.09		0.16
N	.004		.006
N/2		0.5	
N/4		.020	
		0.08	
		.003	
		0.08	
		.003	
		48	
		24	
		12	



				Julian S. Perman Kav. 201 Gedung DIO Jl. Pemuda No. 100 Bandung 40132 Telp: (021) 2500000 Fax: (021) 2500000	
				TITLE FINISHED LQFP PACKAGE OUTLINE DRAWING	DRAWING NO. DG 4966
CHECKED AGUS S.	DATE 22 FEB 08	APPROVED JUNJADI	SCALE DO NOT SCALE	SHEET 2 OF 3	REV. M
APPROVED MUSTANIR	RELEASED DOCON	9/21/08			