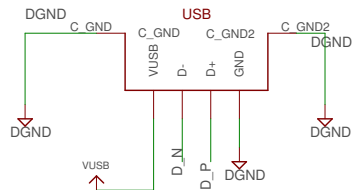
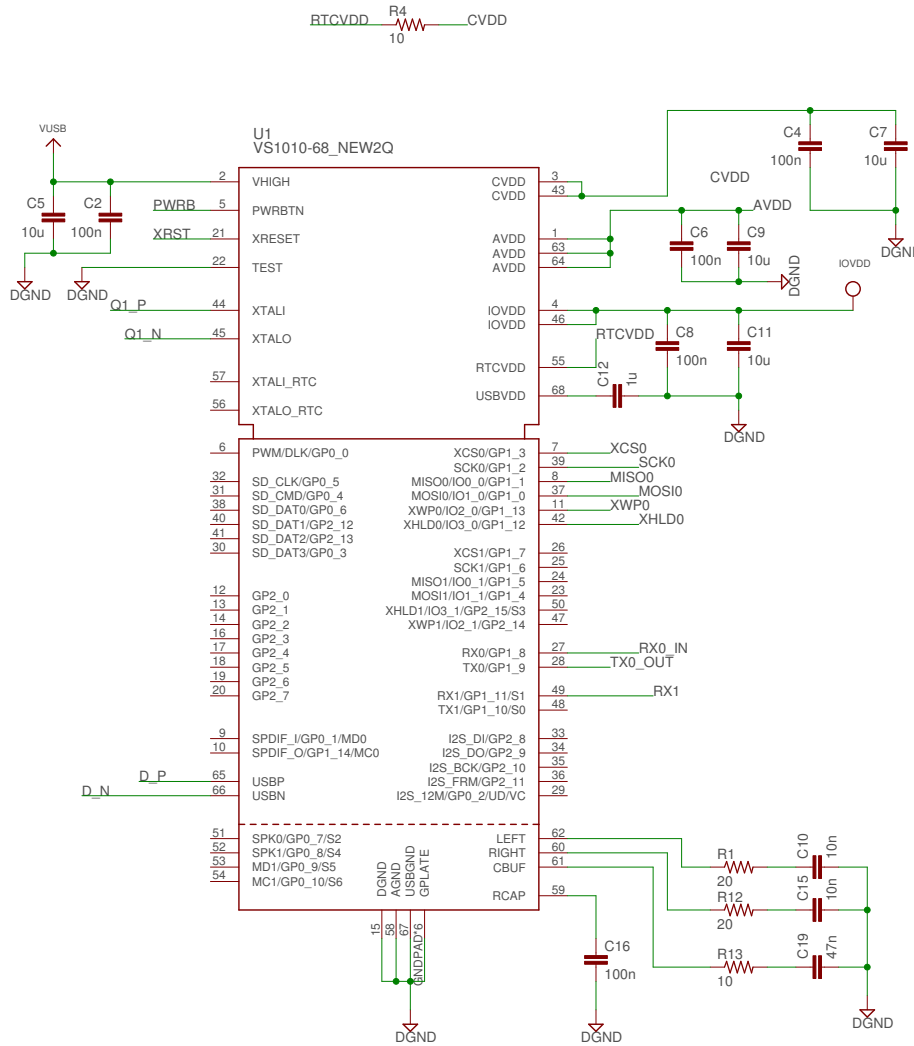


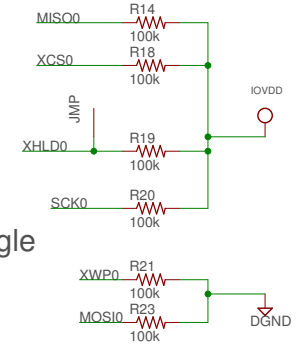
### USB type A male plug



### VS1010

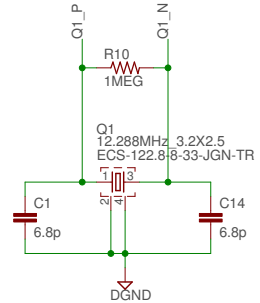


### boot mode selection

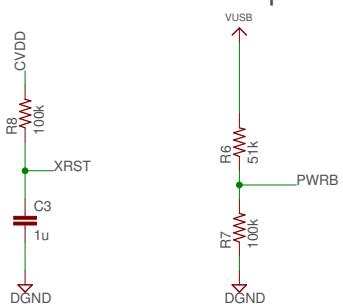


### USB serial dongle MODE 9

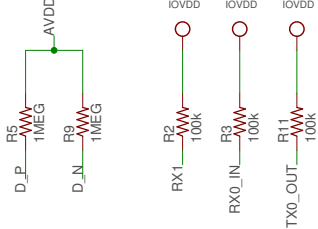
### Crystal 12.288MHz



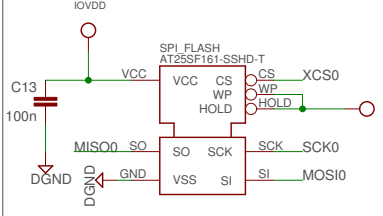
### PWR latch-on and reset pull-ups



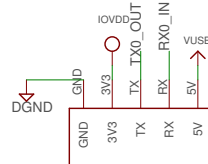
### pull-ups



### SPI Flash



### UART out



test pads for assembly machine



V2.0 changes  
-added TX0 pullup  
-removed c20 boot cap

vs1010\_usb\_uart\_v20

25.7.2019 13.27

Sheet: 1/1