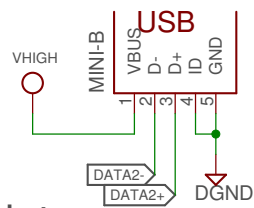
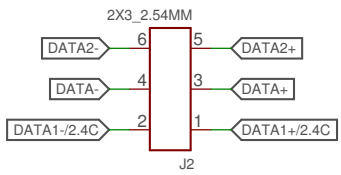


power in usb-mini

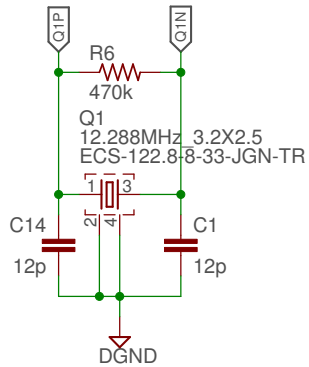
USB-mini



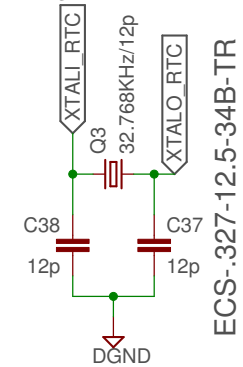
usb-mini or usb stick data



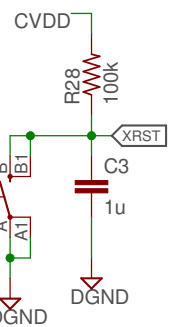
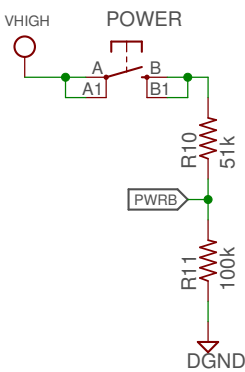
Crystal 12.288MHz



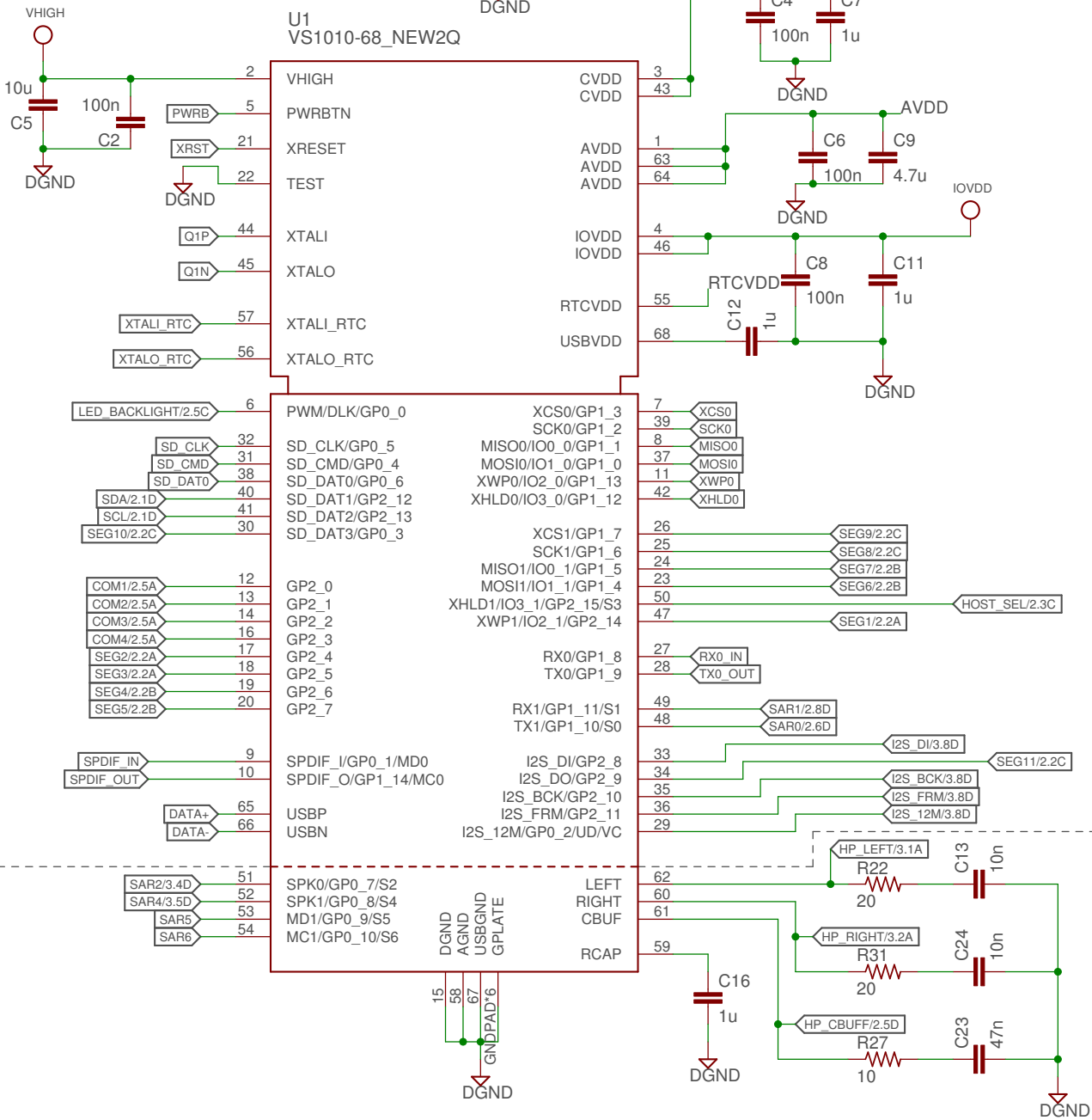
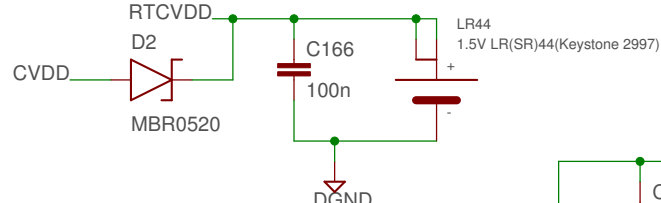
32.768KHz Crystal



PWR on

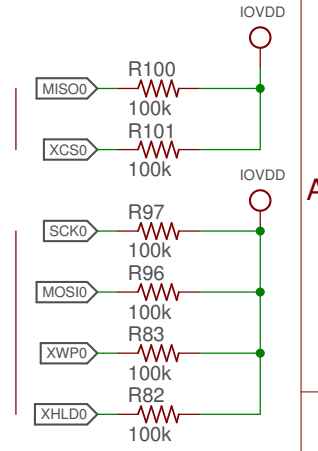


VS1010D or newer



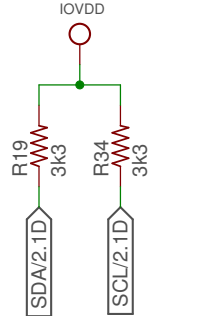
boot mode selection

IO3.3v and try spi0 boot

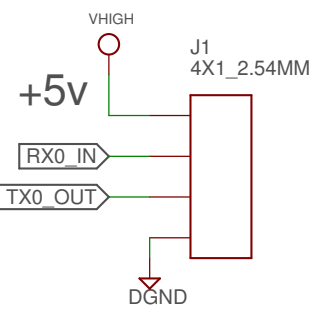


boot mode 15

i2c pullups

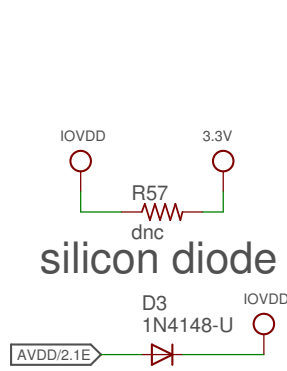


UART debug pinheader

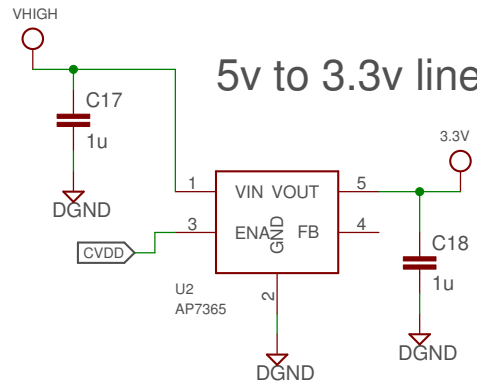


SD power LDO regulator

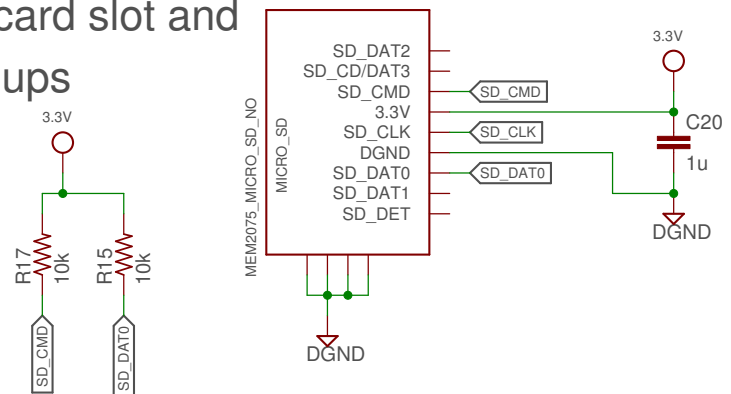
either



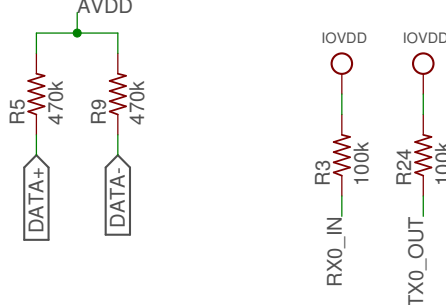
5v to 3.3v linear reg



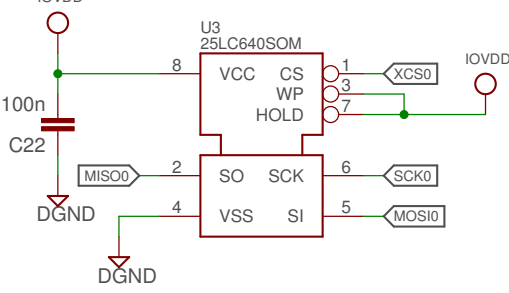
SD card slot and pull-ups



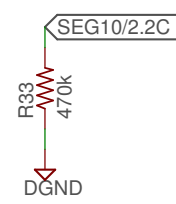
pull-ups



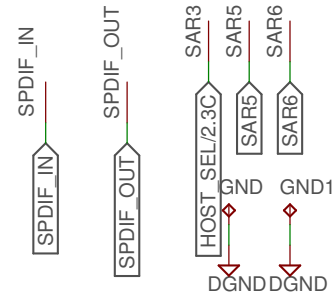
BOOT SPI Flash



pin doesn't have an internal weak pull-down

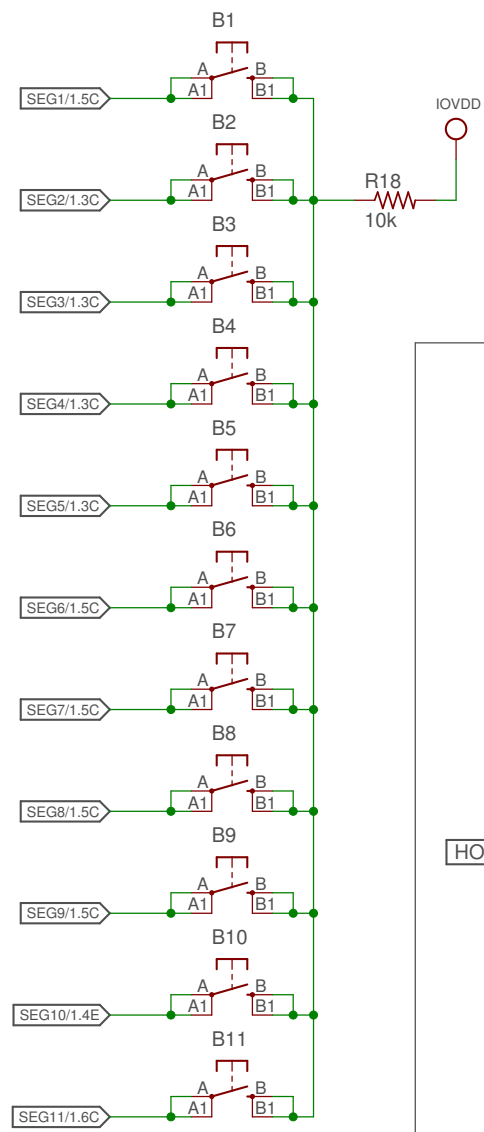


extra pinheaders

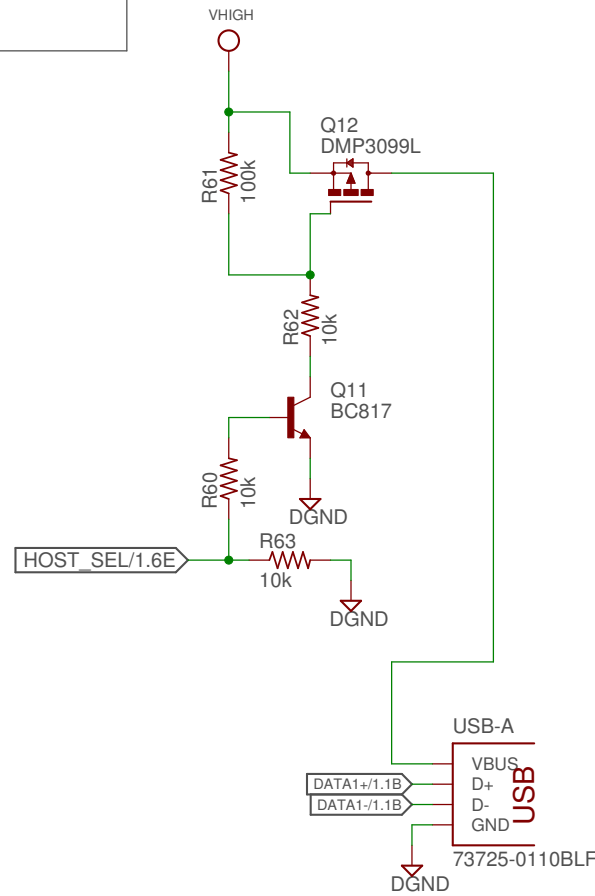


fiducials
TPHP2P3
◆◆◆

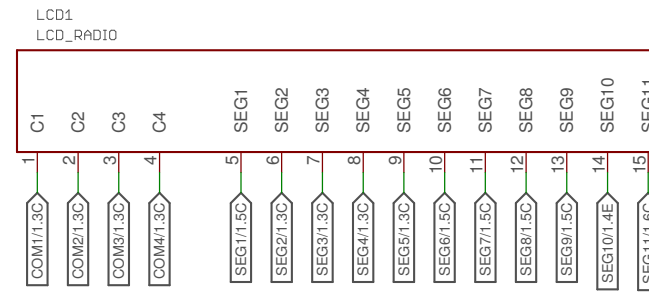
buttons



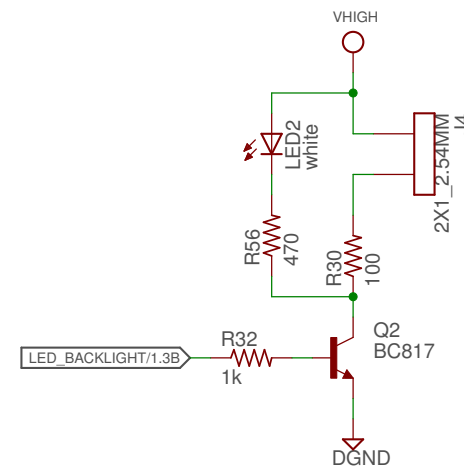
usb stick power



LCD display



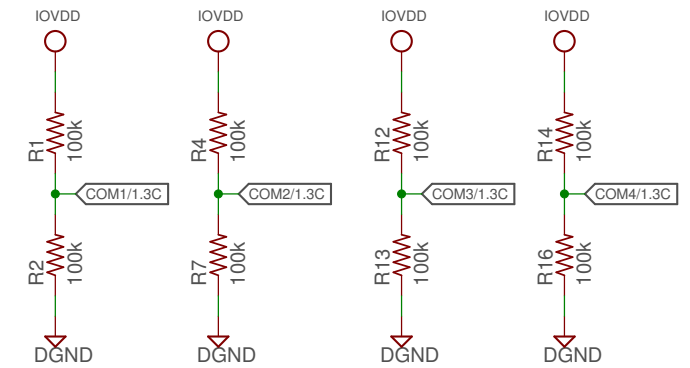
LCD backlight



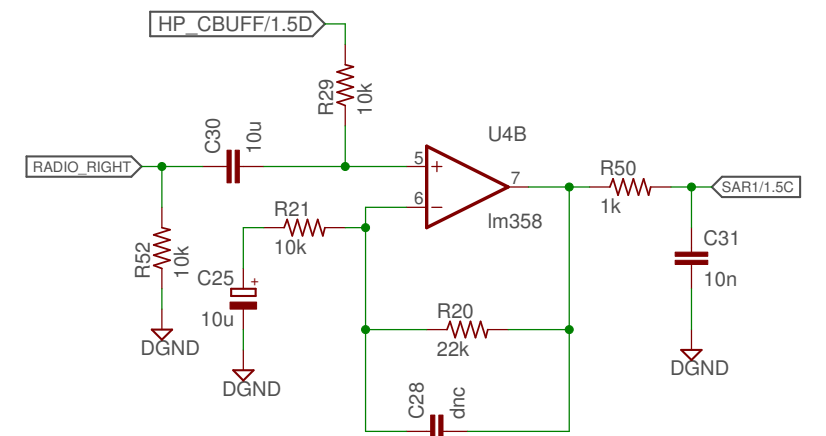
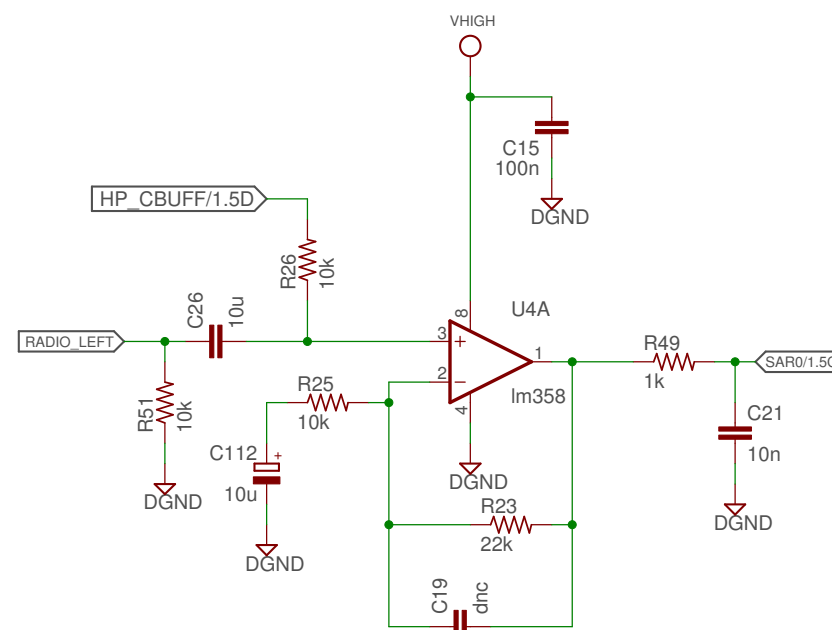
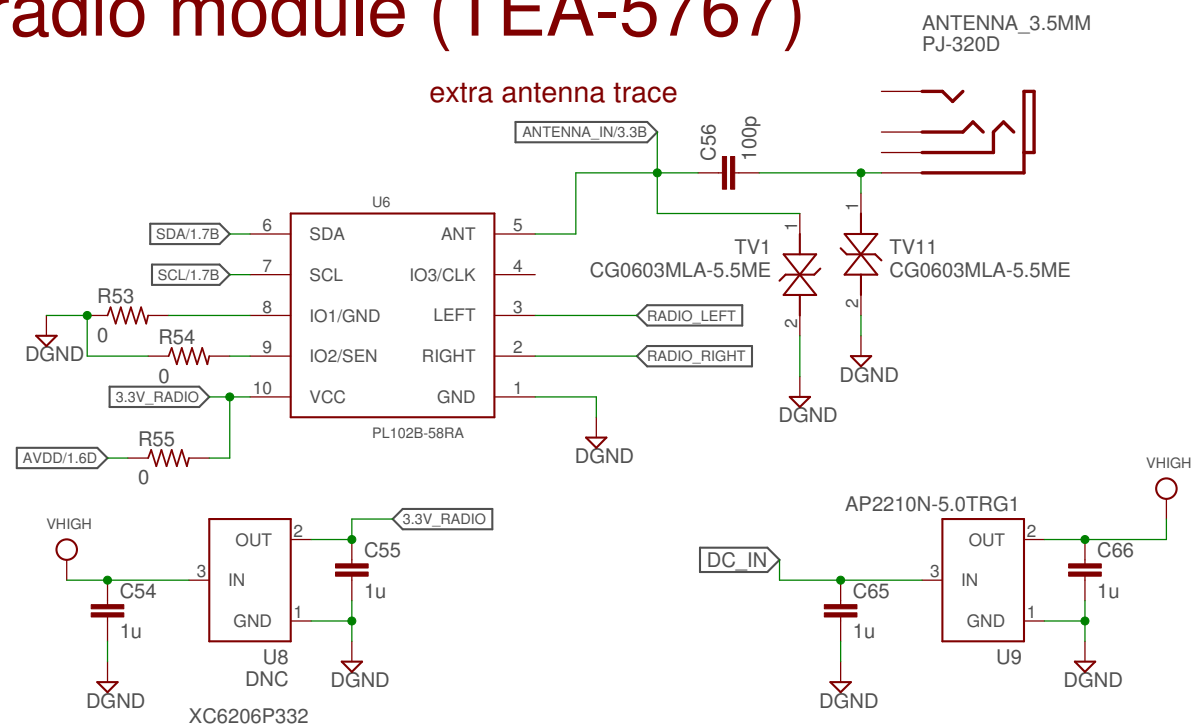
changes from v100
 - radio vdd uses avdd
 - avdd+iovdd supply sd card power
 - replaced 1uh inductors with 220ohm res in line-out
 - added 5v LDO
 - added backlight led
 - added usb stick power control

changes from v110
 - corrected usb-A power gnd symbols

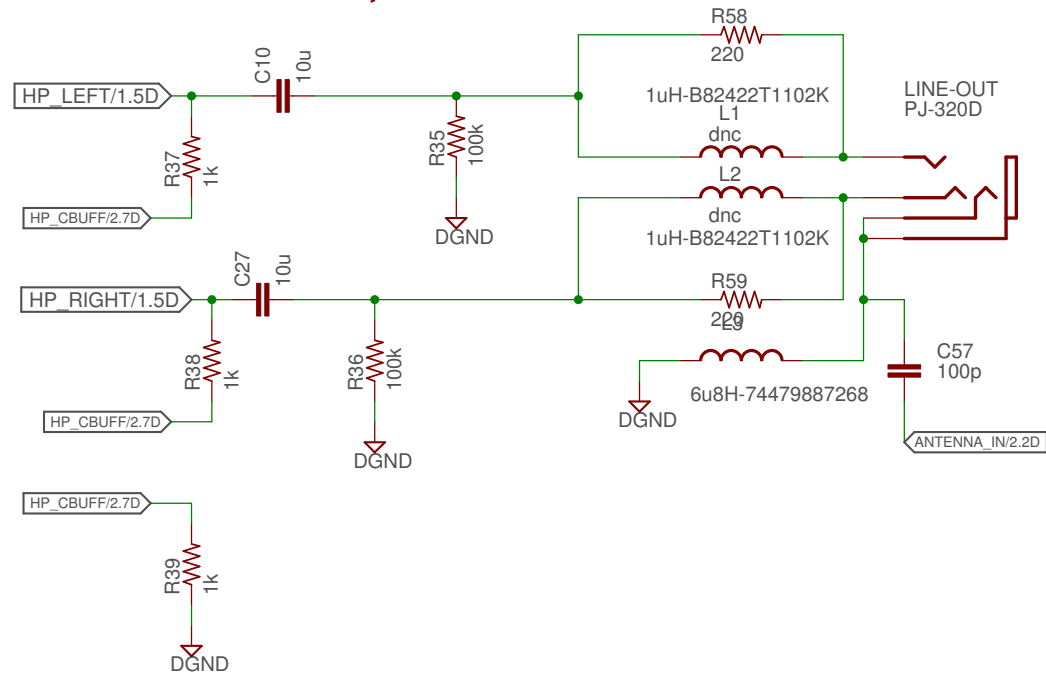
commons



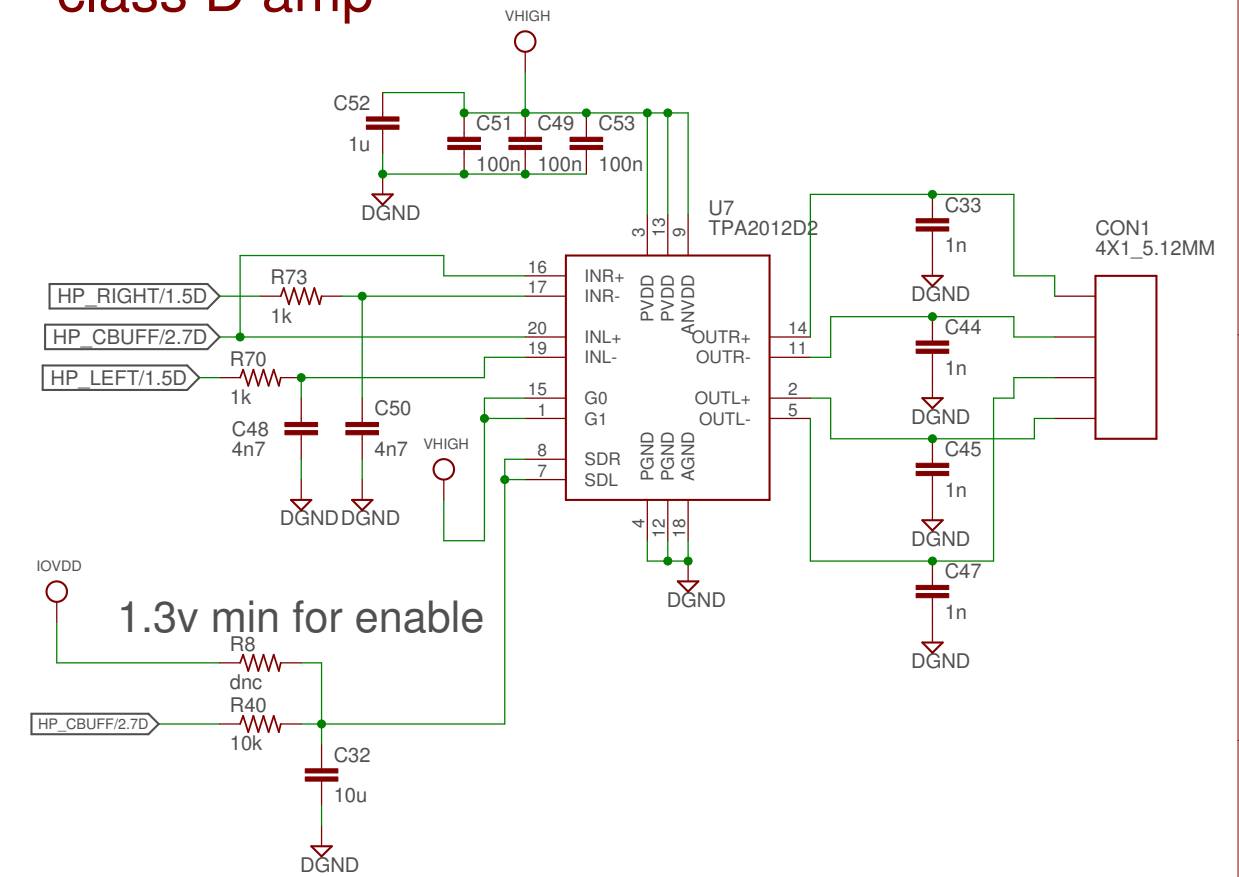
radio module (TEA-5767)



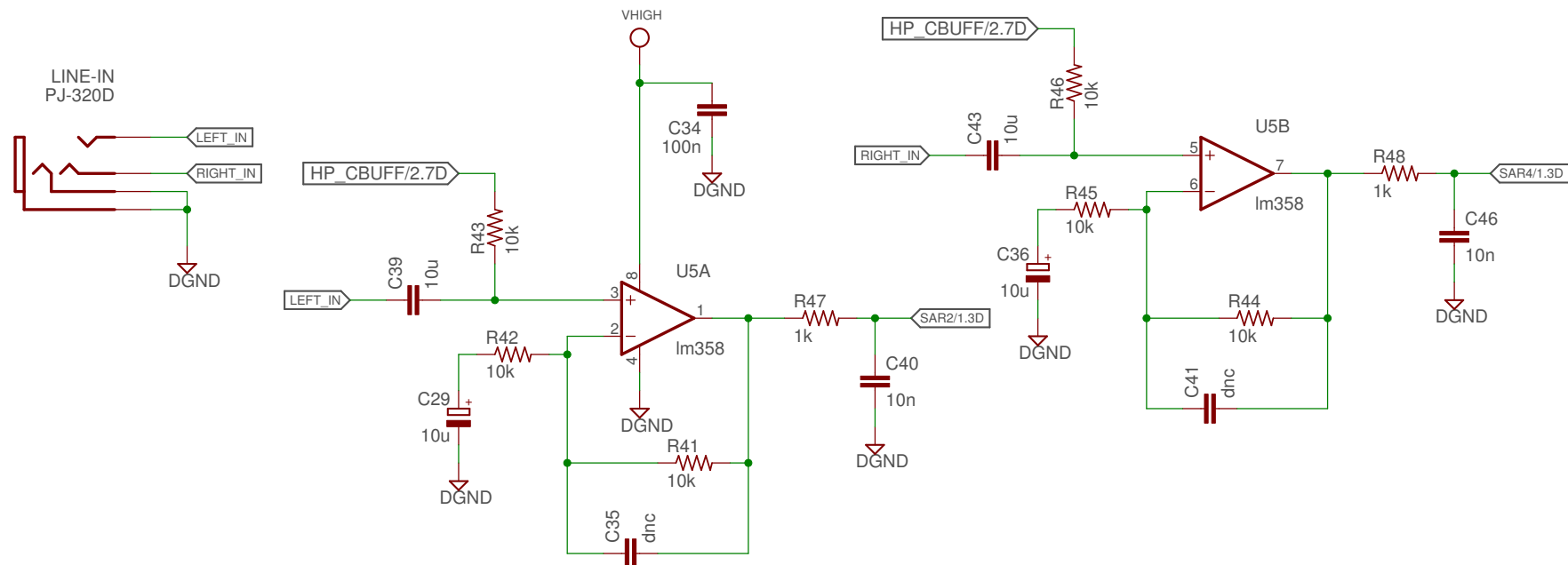
3.5mm line out, cable as antenna



class D amp



3.5mm line-in



ADC place holder (bottom side)

