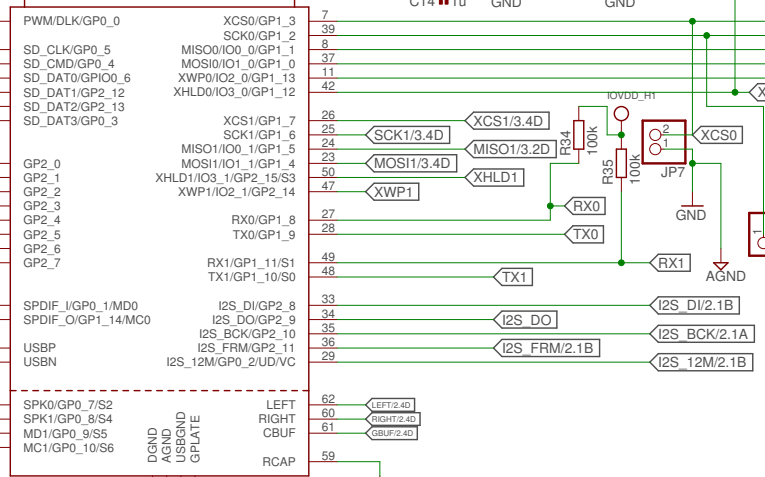


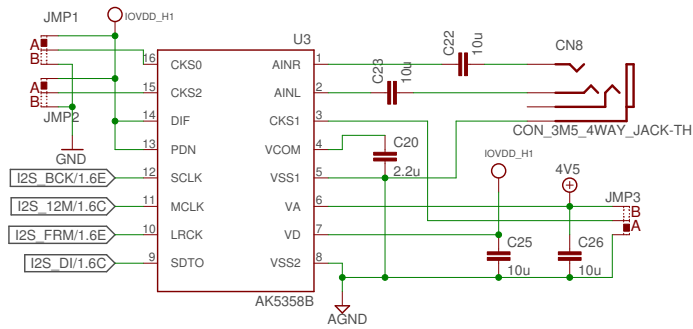
pcb fiducials  
TP1 TP2 TP3



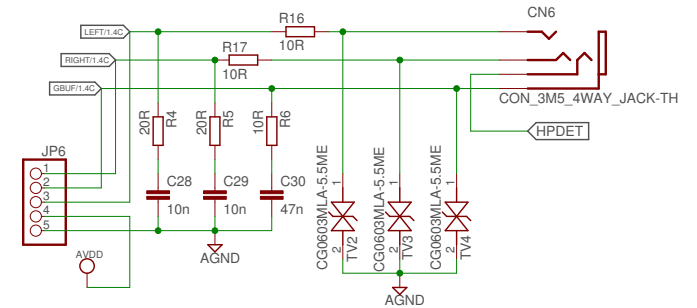
- v.1.4.1
- R5,R6,C29,C30 values fixed
- powerbutton connection fixed
- v.1.4.2
- USB host connector error
- Analog and RAM on separate sheet
- v.1.4.3
- XRESET pull up error
- Crystal ground error
- Power button capacitor value error
- v.1.5
- Board version 1.5
- 1.4 fixes

Notice! This schematic matches board version 1.5  
**VS1010Dev1\_50**  
 10.12.2018 13.59  
 Sheet: 1/3

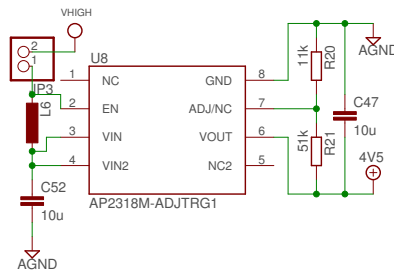
# Line in ADC



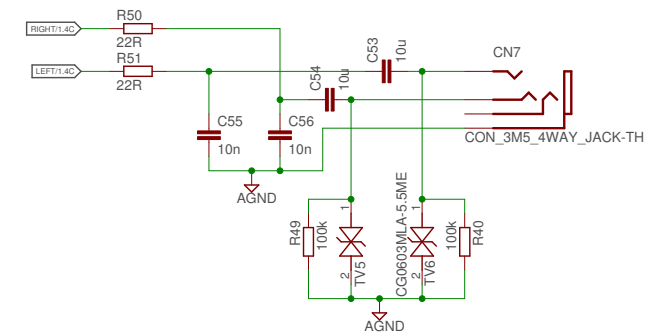
# Headphone out



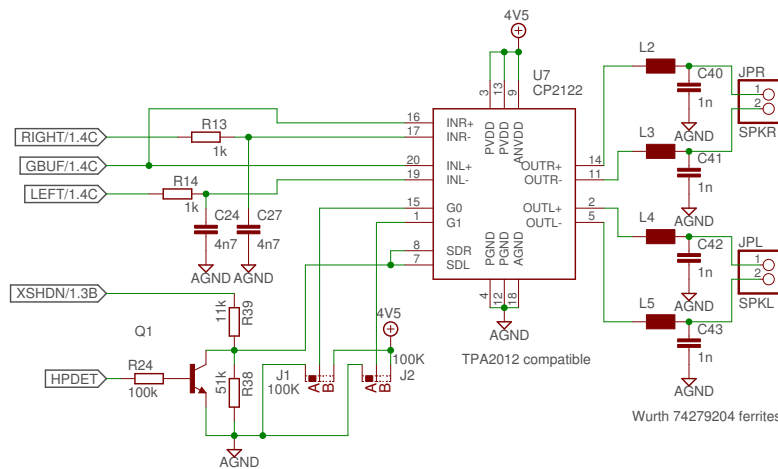
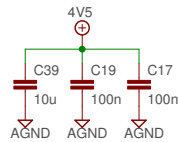
# Power supply for amplifier



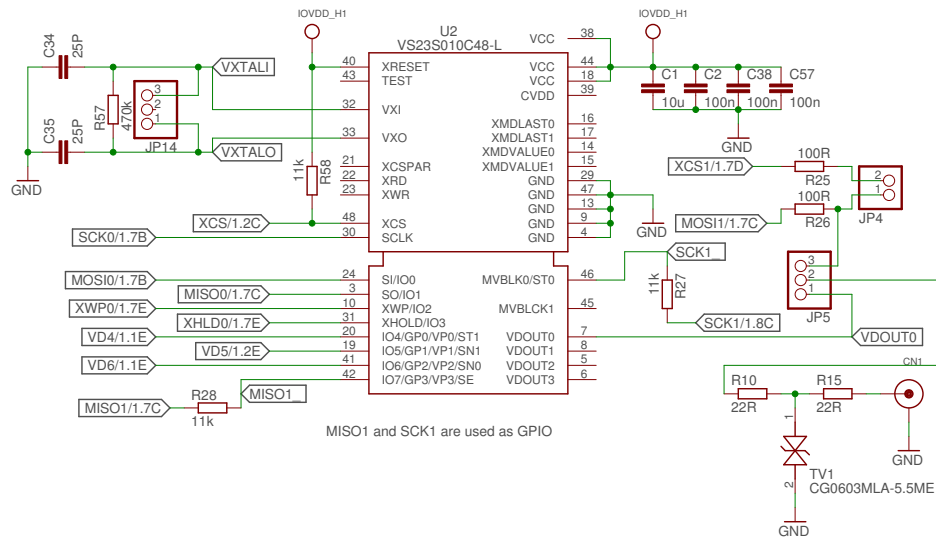
# Line out



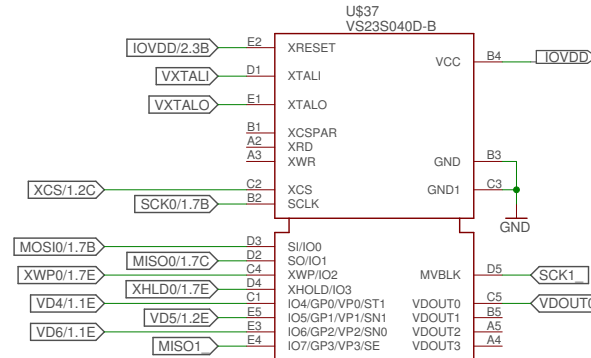
# Class D amplifier



VS23S010 is populated on VS1010 developer board 1.5. The chip is on the top side.



VS23S040 is not populated on VS1010 developer board 1.5. Footprint is on the bottom side.



Only one of VS23S010 or VS23S040 may be populated.