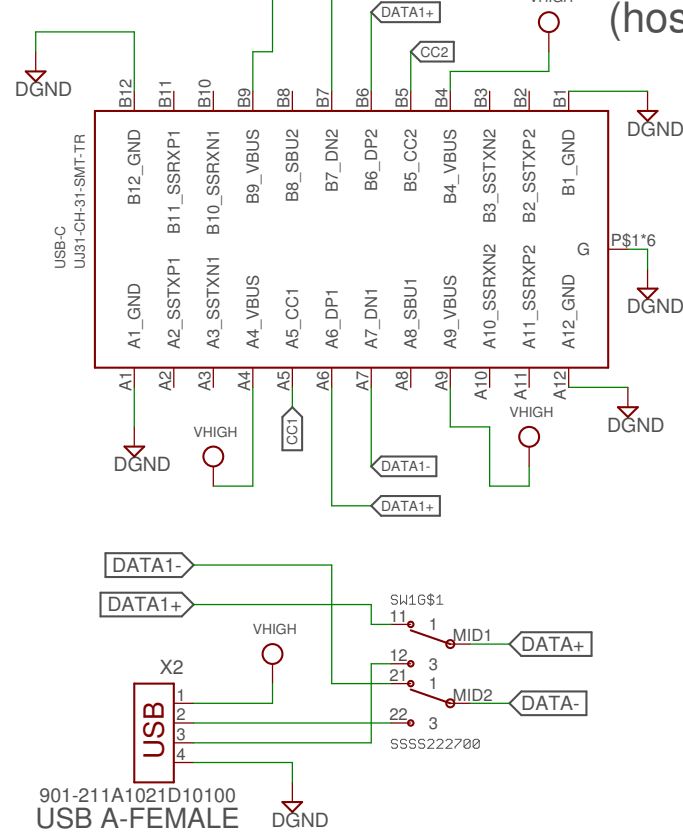
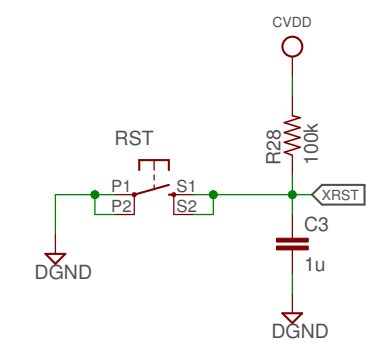


USB Connectors

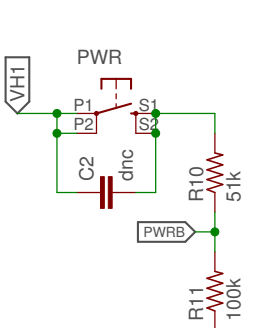
USB C receptable



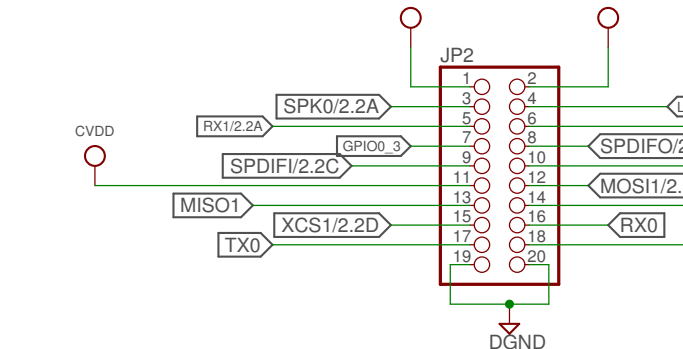
RESET



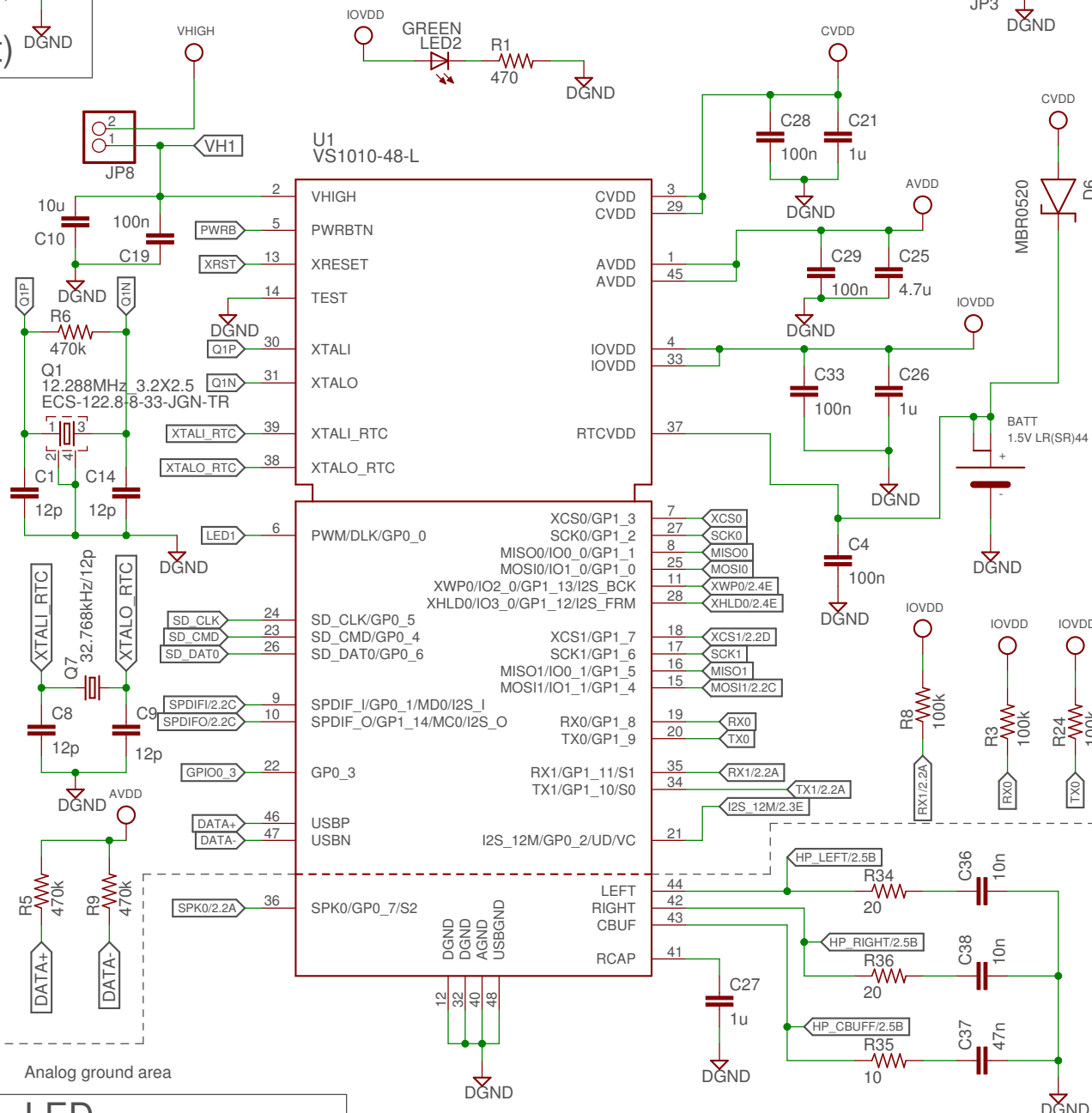
PWR on



PINout



VS1010 LQFP

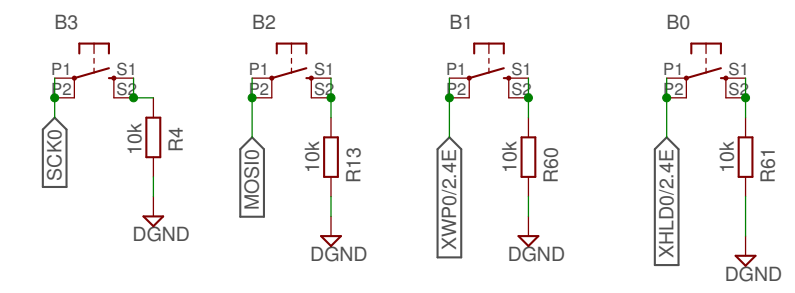


Analog ground area

LED

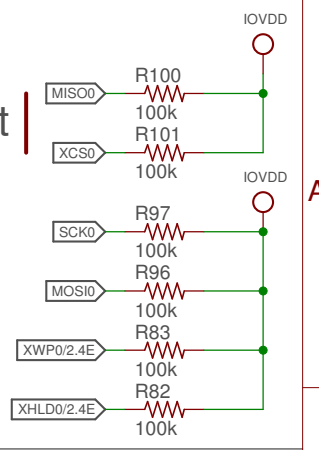


Buttons



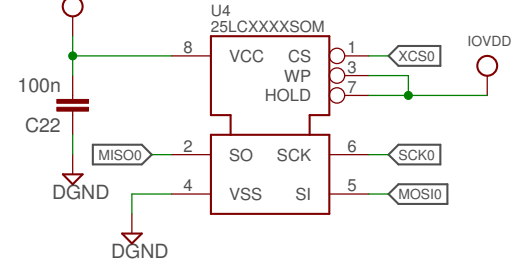
boot mode selection:

IO3.3v and try spi0 boot

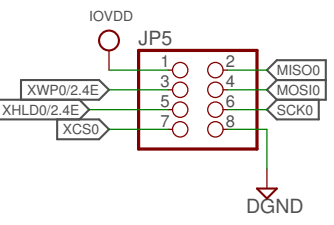


boot mode 15

BOOT SPI Flash

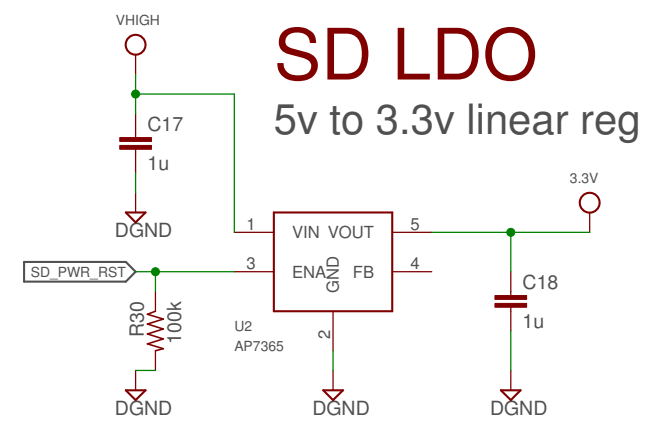


SPI0 connector

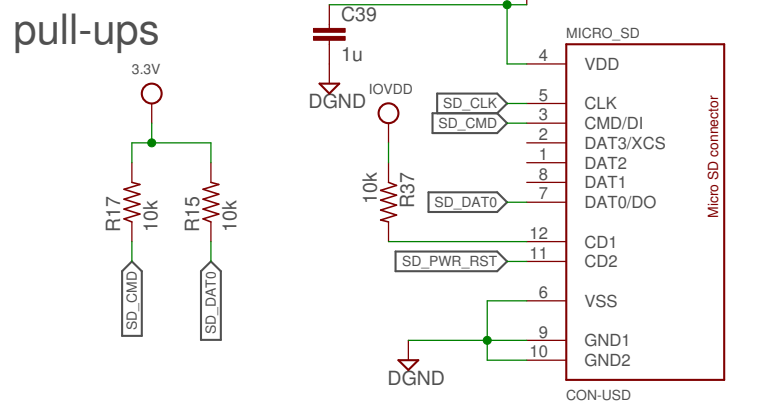


SD LDO

5v to 3.3v linear reg



SD card slot and pull-ups

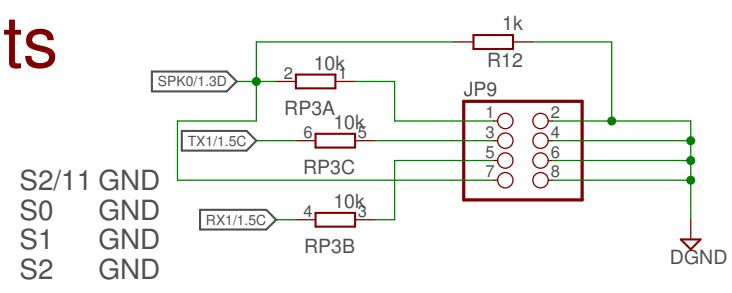


vs1010_LQFP_simple_board_v12

30.3.2021 15.05

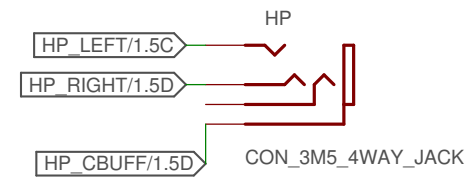
Sheet: 1/2

SAR inputs



Headphones

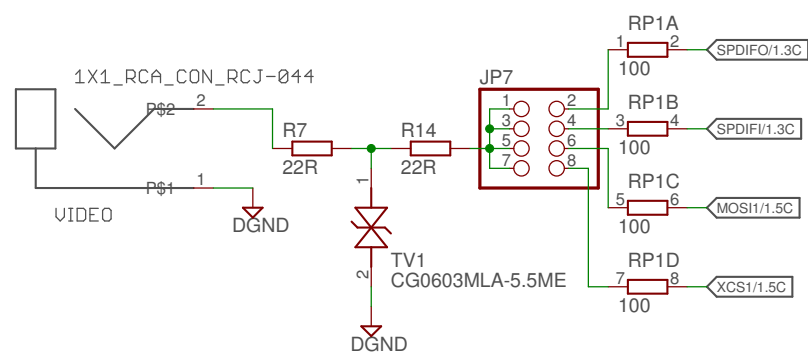
3.5mm jack



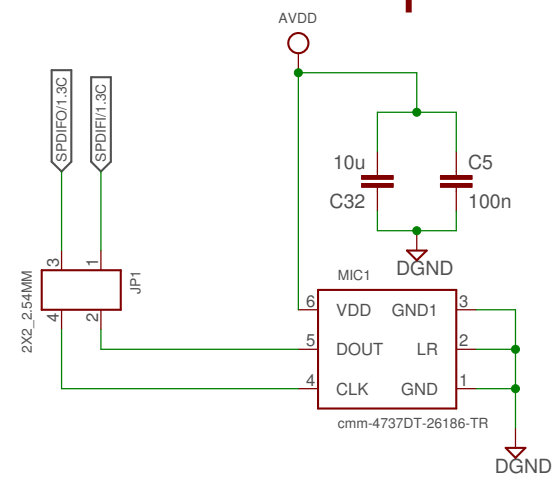
HP com, not GND

changes from v100:
- new buttons
- new usb data switch

COAX connector



MEMS microphone



I2S pins

I2S_12M I2S_BCK
I2S_DI I2S_FRM
I2S_DO IOVDD
GND GND

