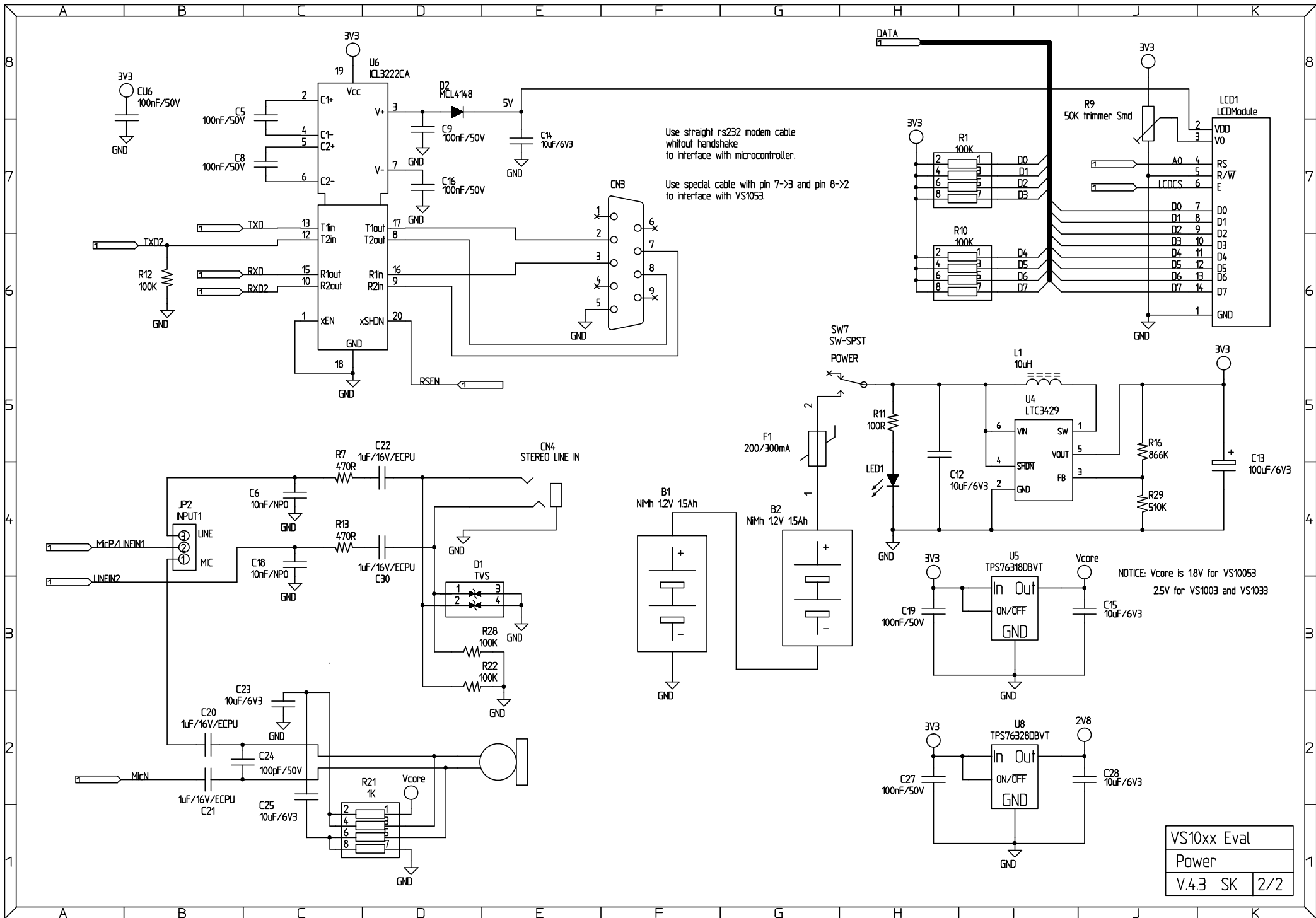


A B C D E F G H J K

8 7 6 5 4 3 2 1

A B C D E F G H J K

8 7 6 5 4 3 2 1



Use straight rs232 modem cable without handshake to interface with microcontroller.

Use special cable with pin 7->3 and pin 8->2 to interface with VS1053.

NOTICE: Vcore is 1.8V for VS10053
2.5V for VS1003 and VS1033

VS10xx Eval	
Power	
V.4.3 SK	2/2