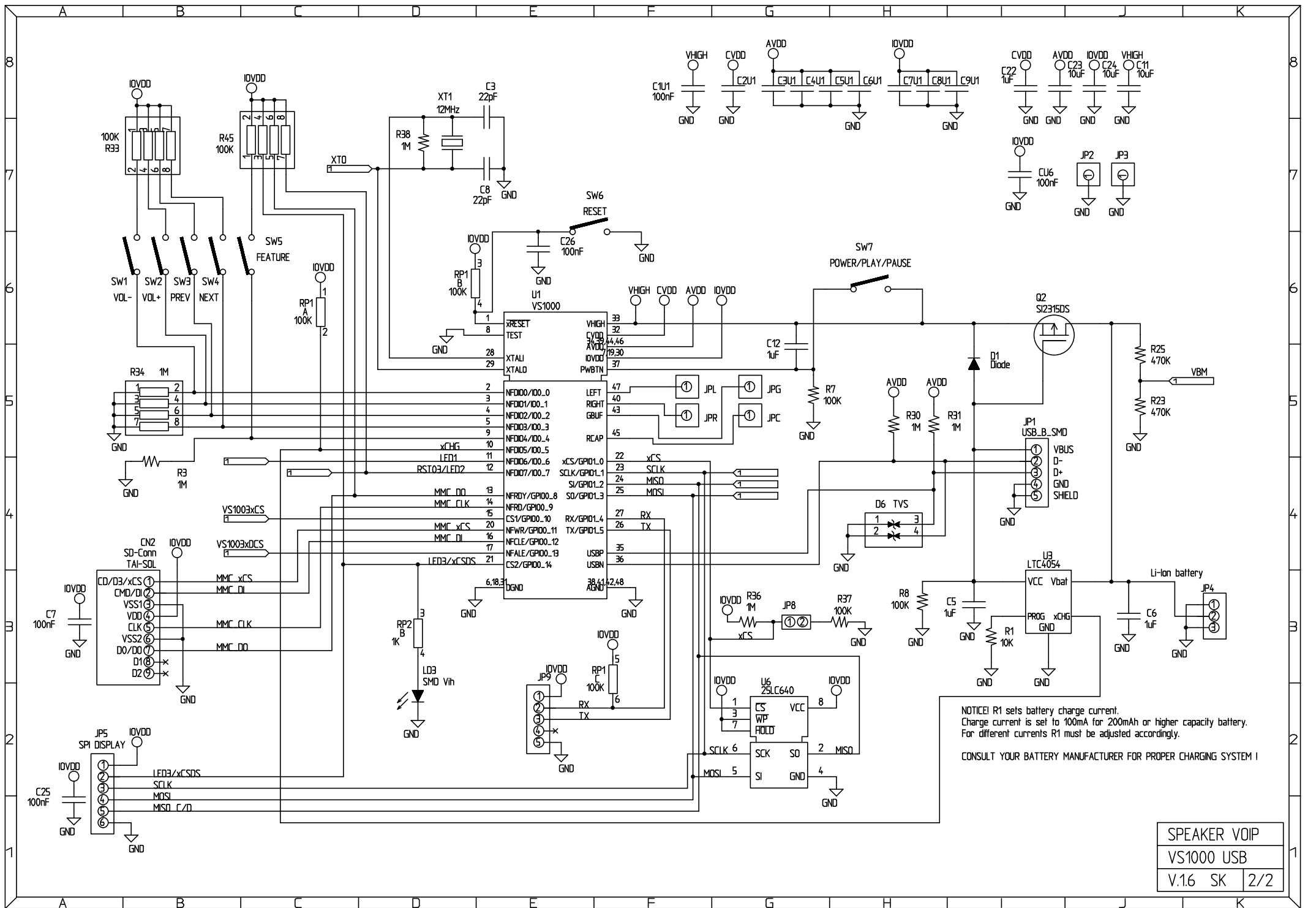


SPEAKER VOIP
 VS1003 Audio
 V.1.6 SK 1/2



NOTICE! R1 sets battery charge current.
 Charge current is set to 100mA for 200mAh or higher capacity battery.
 For different currents R1 must be adjusted accordingly.

CONSULT YOUR BATTERY MANUFACTURER FOR PROPER CHARGING SYSTEM I

SPEAKER VOIP	
VS1000 USB	
V.1.6 SK	2/2