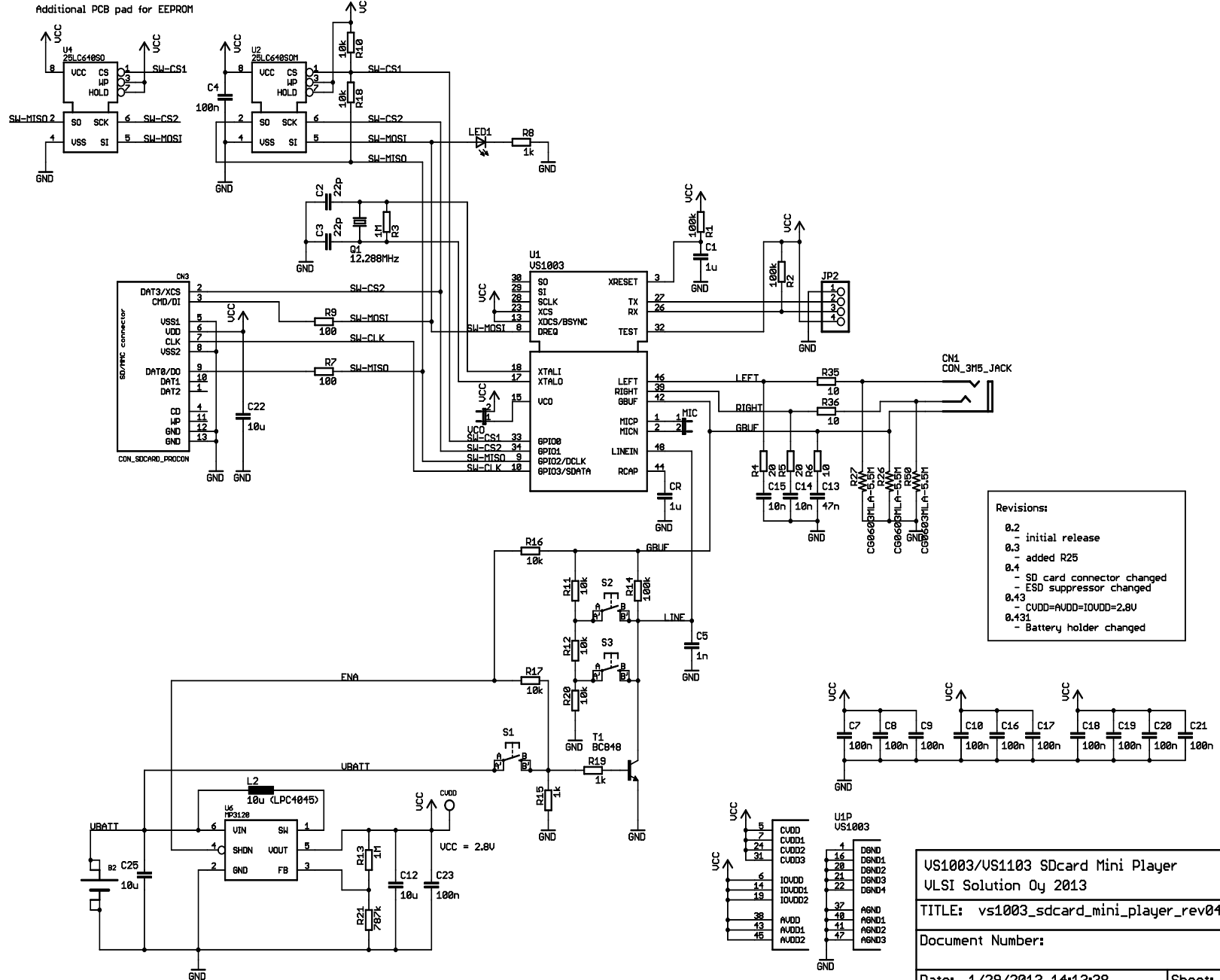


US1003/1103 SDCard Mini Player



- Revisions:
- 0.2 - initial release
 - 0.3 - added R25
 - 0.4 - SD card connector changed
- ESD suppressor changed
 - 0.43 - CUDD=AVDD=IOVDD=2.8V
 - 0.431 - Battery holder changed

US1003/US1103 SDCard Mini Player	
ULSI Solution Oy 2013	
TITLE: vs1003_sdcard_mini_player_rev0431	
Document Number:	REV: 0.431
Date: 1/29/2013 14:13:38	Sheet: 1/1