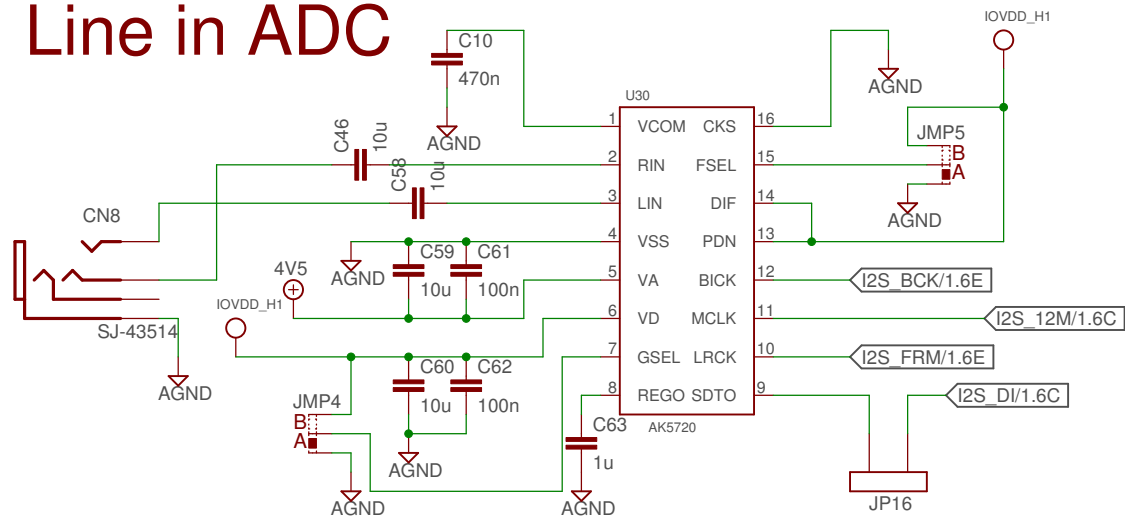


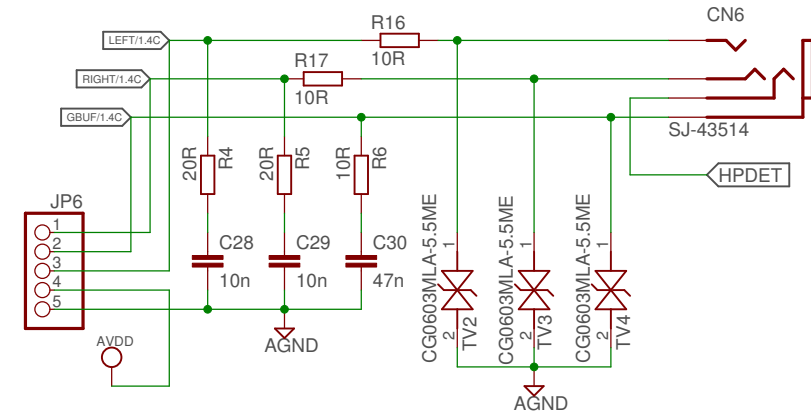
- v.1.4.1 - R5,R6,C29,C30 values fixed
- powerbutton connection fixed
- v.1.4.2 - USB host connector error
- Analog and RAM on separate sheet
- v.1.4.3 - XRESET pull up error
- Crystal ground error
- Power button capacitor value error
- v.1.5 -
- Line-out High freq. sigma-delta noise filter fix
- v.1.6 - added diode D6 for rtc
- v.2.0 - replaced mouse con, with spi0 con

Notice! This schematic matches board version 1.5	
VS1010Dev_v203	
12.8.2020 17.31	
Sheet:	1/3

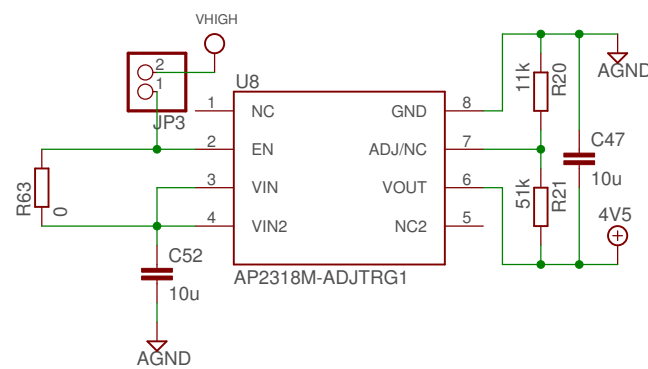
Line in ADC



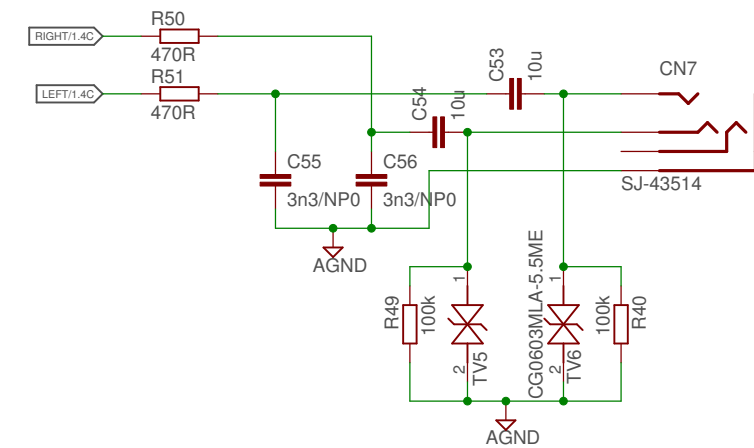
Headphone out



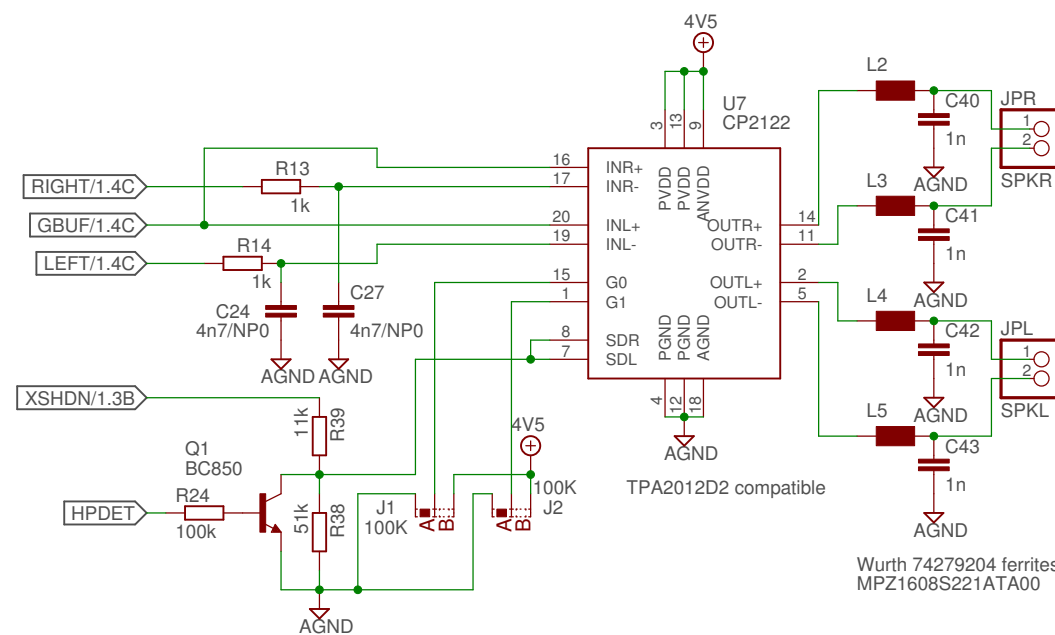
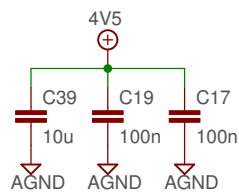
Power supply for amplifier



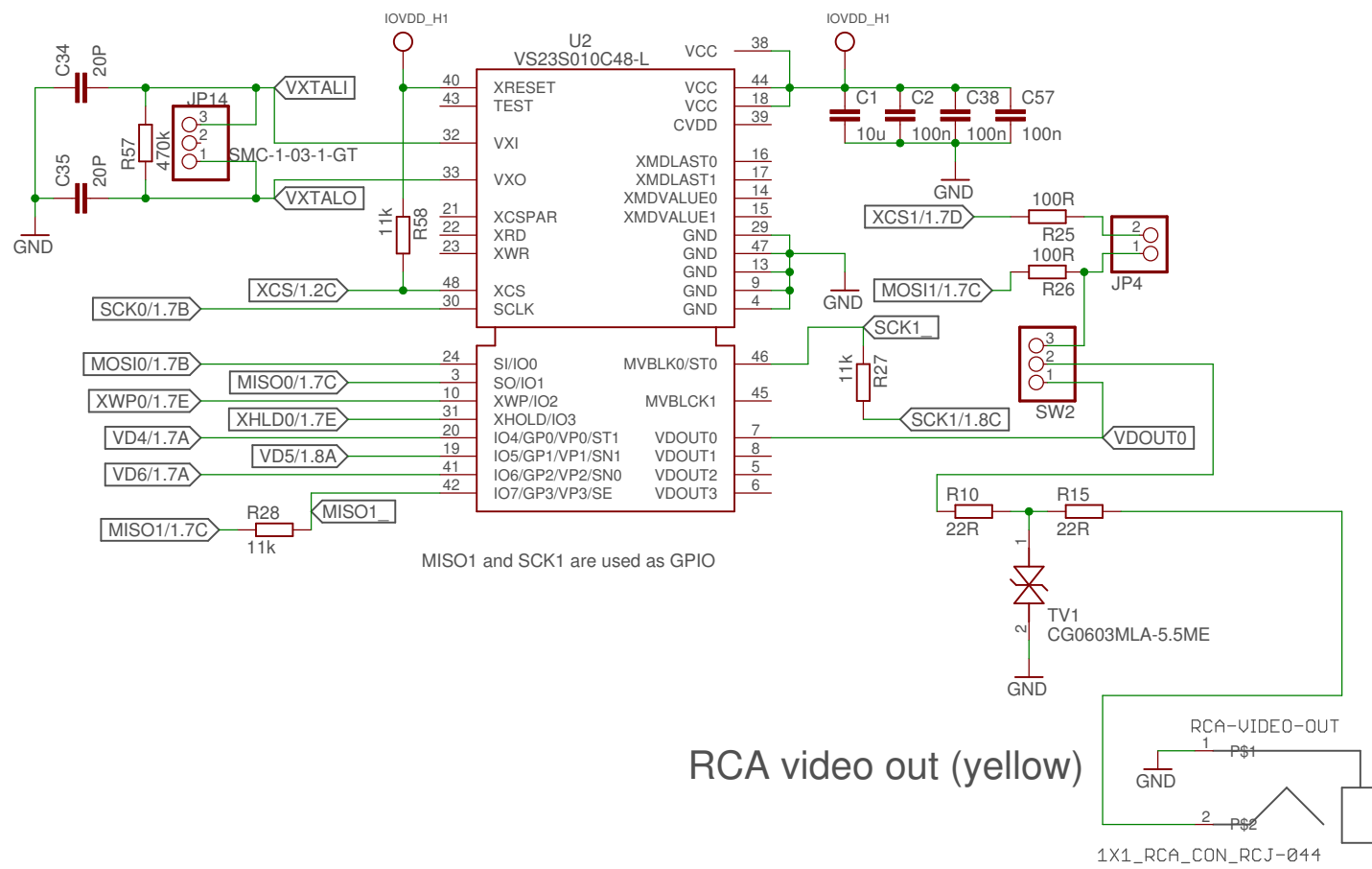
Line out



Class D amplifier

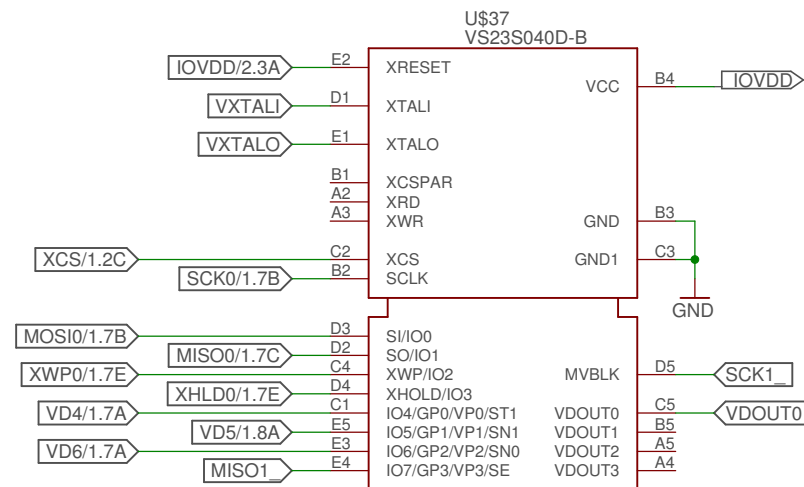


VS23S010 is populated on VS1010 developer board. The chip is on the top side.



RCA video out (yellow)

VS23S040 is not populated on VS1010 developer board. Footprint is on the bottom side.



Only one of VS23S010 or VS23S040 may be populated.