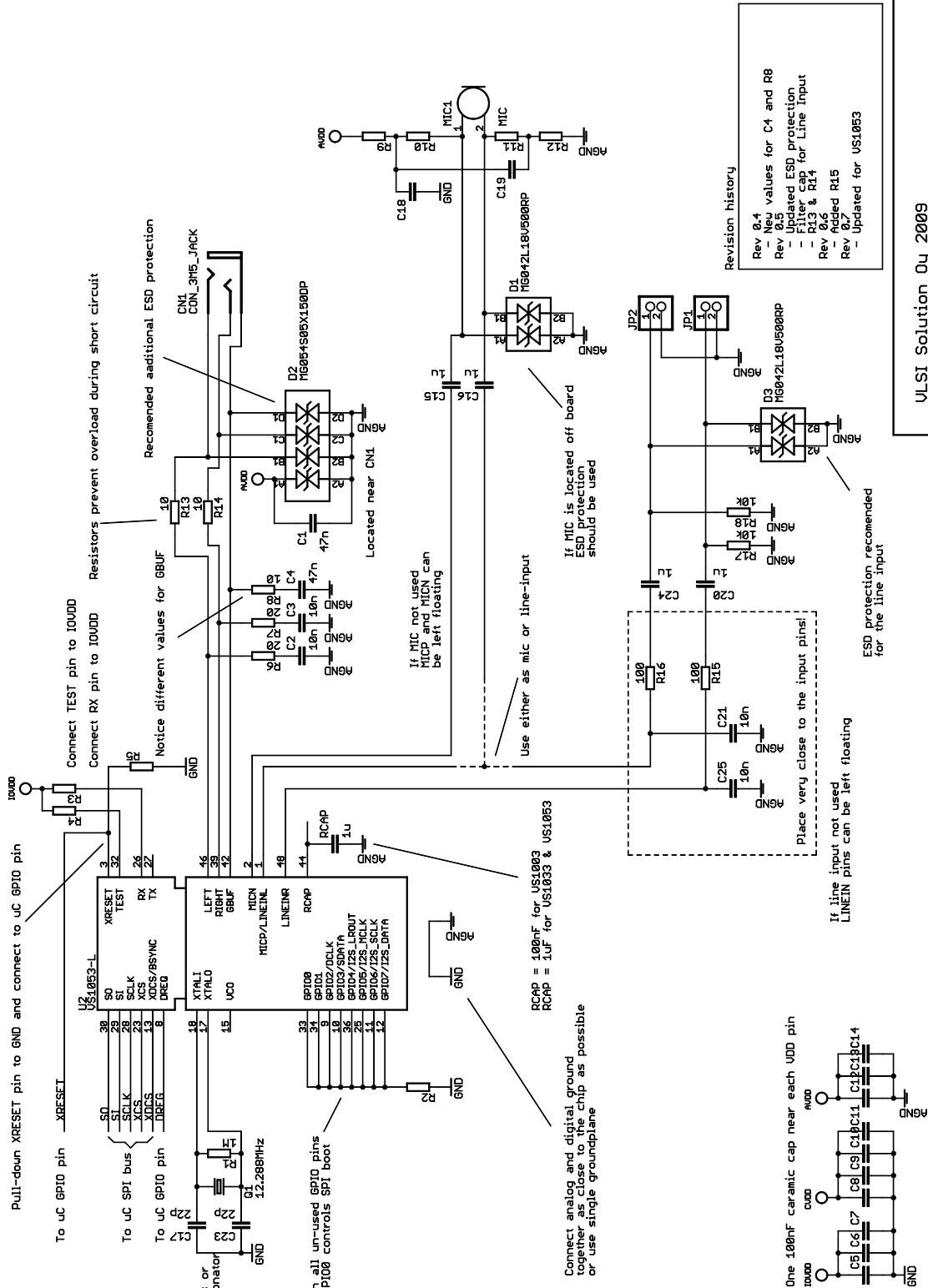
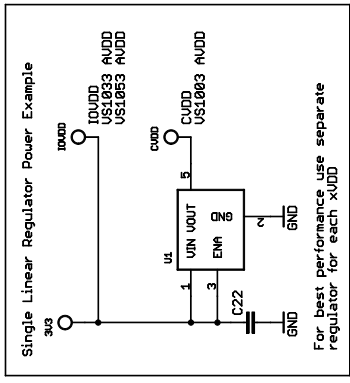


US10XX application considerations

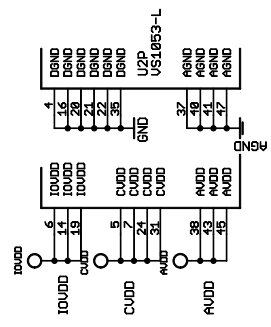
Applies to US1011, US1002, US1003, US1033 and US1053



Revision history
 Rev 0.4 - New values for C4 and R8
 Rev 0.5 - Added ESD protection
 - Filter cap for Line Input
 - R13 & R14
 Rev 0.6 - Added R15
 Rev 0.7 - Updated for US1053



Check datasheets for voltage specifications



No inductors for IOVDD, CUVDD and AVDD

VLSI Solution Oy 2009
 TITLE: US1033example_rev07
 Document Number:
 Date: 7/09/2009 13:27:51
 REVISION: 0.7
 Sheet: 1/1

See <http://www.vlsi.fi/appnotes> for more details