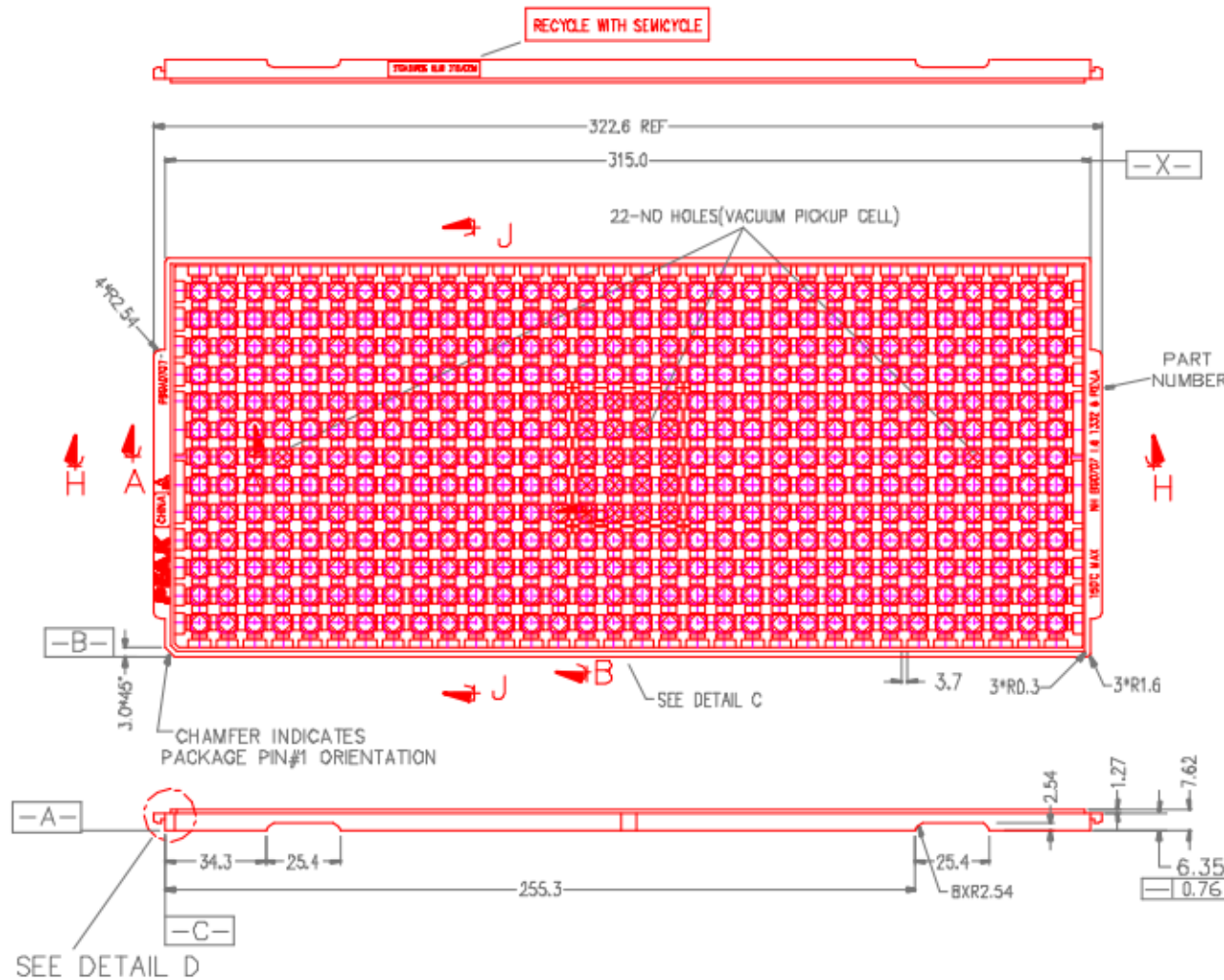
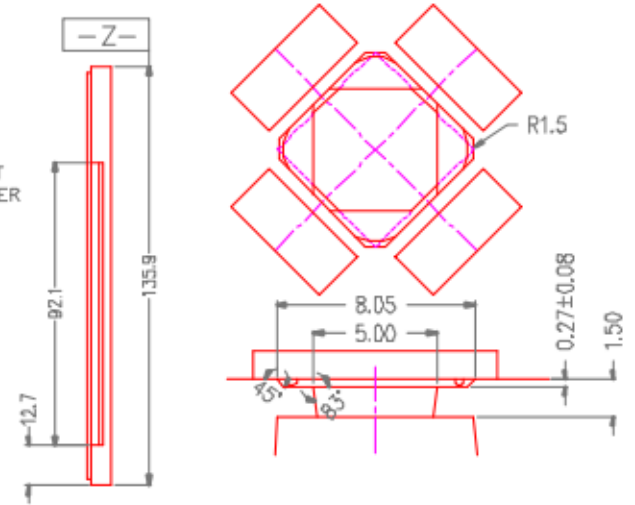


Tray 1) Tray for BGA 49, 7 x 7 mm



DETAIL OF CAVITY (8:1)



NOTES :

1. MATERIAL - PP6.
2. ALL DIMENSIONS ARE IN MILLIMETERS.
3. TOLERANCES - X.X=±0.25
- X.XX=±0.13
UNLESS OTHERWISE SPECIFIED.
4. ESD - SURFACE RESISTIVITY
- 10^5 TO 10^{11} OHMS/SQ.
5. FOR PACKAGE - BGA7X7,
TOTAL THICKNESS 1.6 MAX.
6. PART NO. : NH BGO707 1.6 1332 6 REV.A
(PLEASE INDICATE ON PURCHASE ORDER).