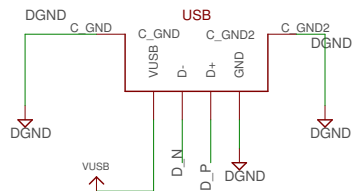
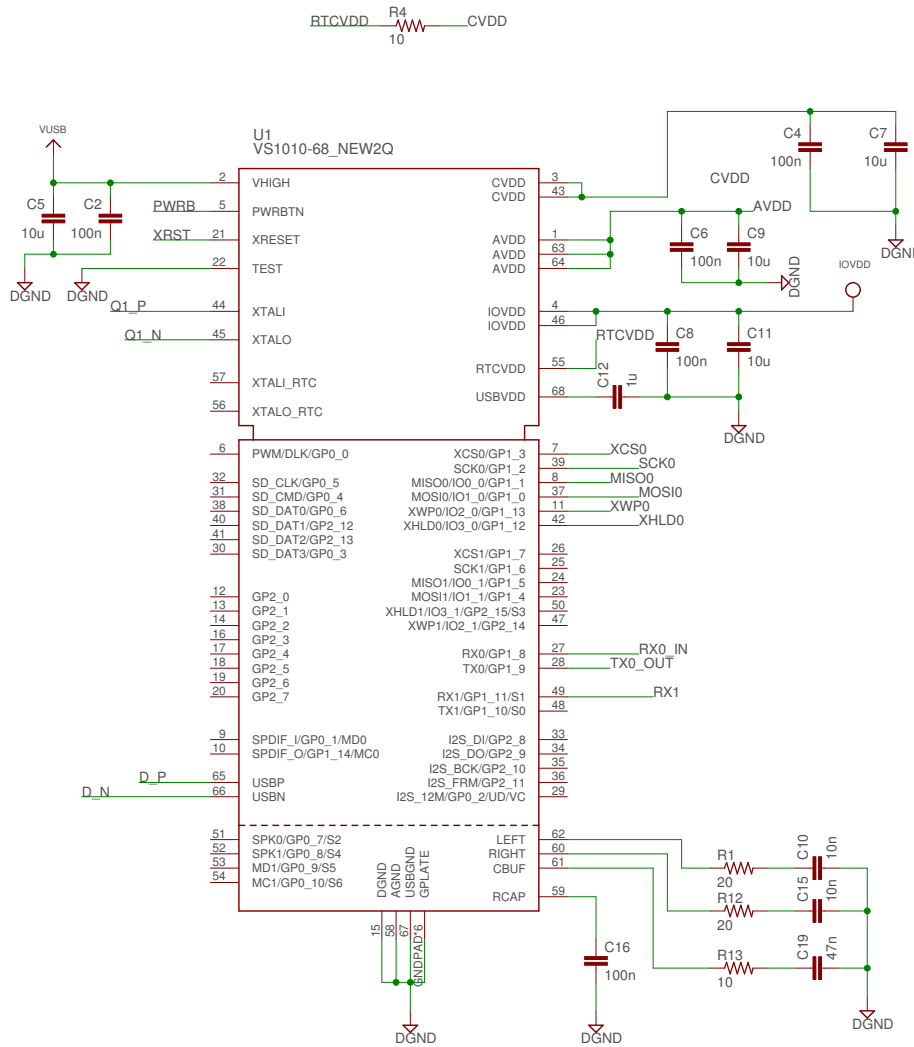


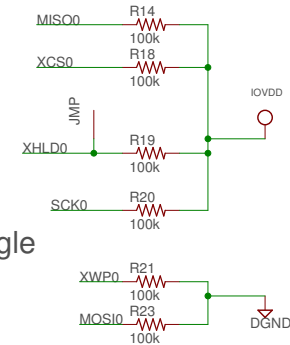
USB type A male plug



VS1010

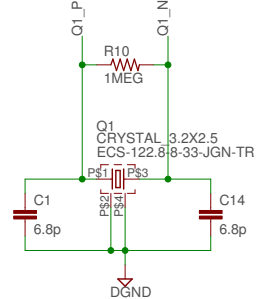


boot mode selection

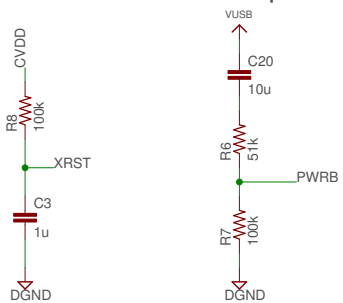


USB serial dongle MODE 9

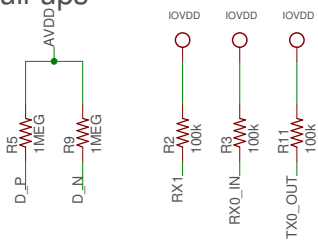
Crystal 12.288MHz



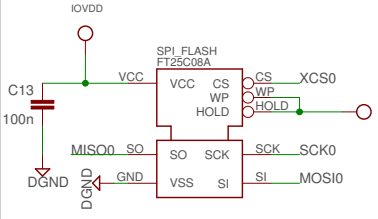
PWR latch-on and reset pull-ups



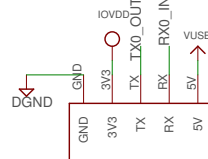
pull-ups



SPI Flash



UART out



test pads for assembly machine



V1.5 changes
-added TX0 pullup
-Increased C20 from 1uf to 10uf