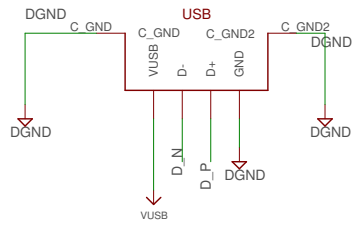
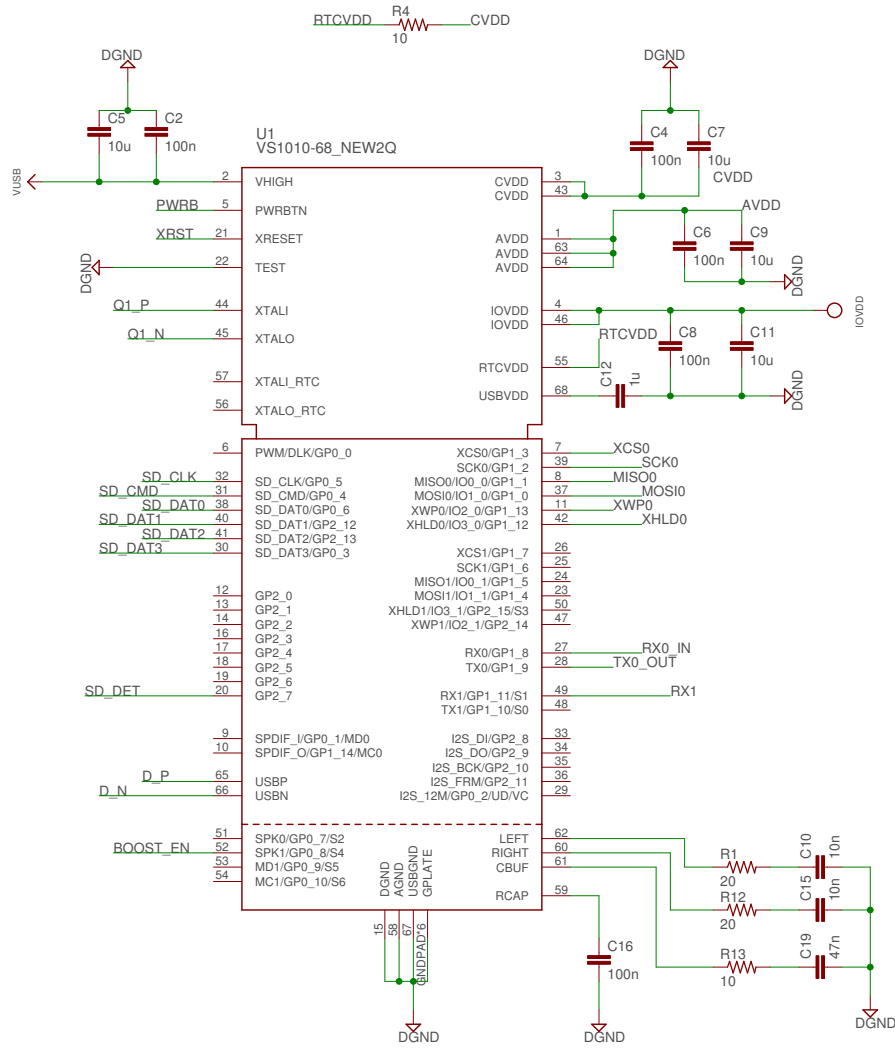


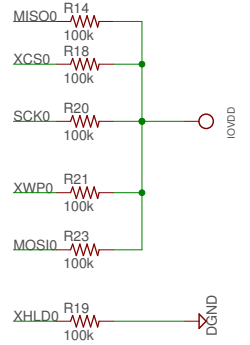
USB type A male plug



VS1010



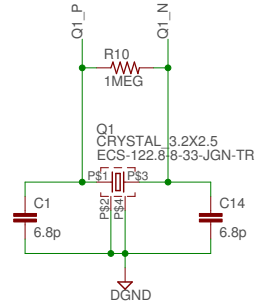
boot mode selection USB SD card reader MODE 14



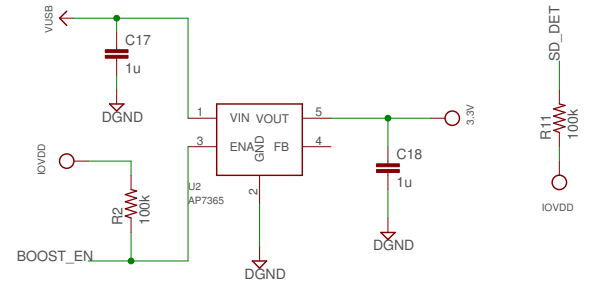
console mode



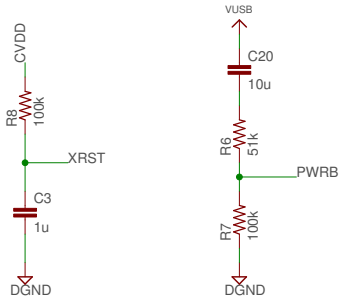
Crystal 12.288MHz



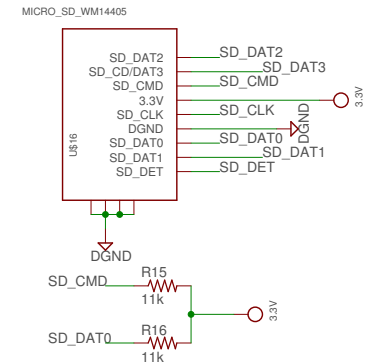
5v to 3.3v linear reg



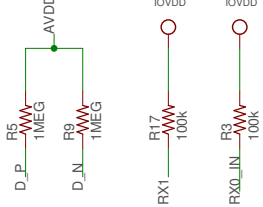
PWR latch-on and reset pull-ups



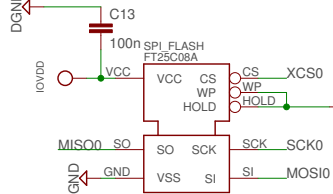
SD card slot and mandatory pull-ups



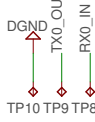
UART RX pull-ups



SPI Flash



UART test



test pads for assembly machine

