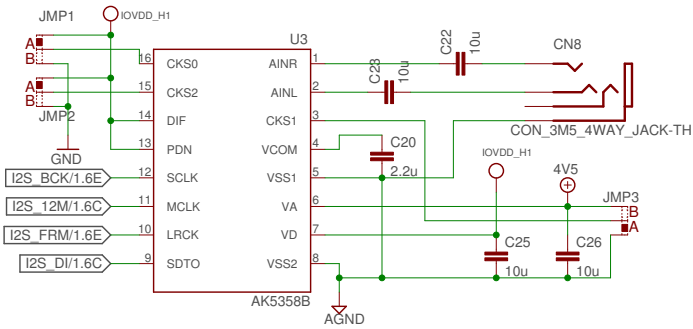


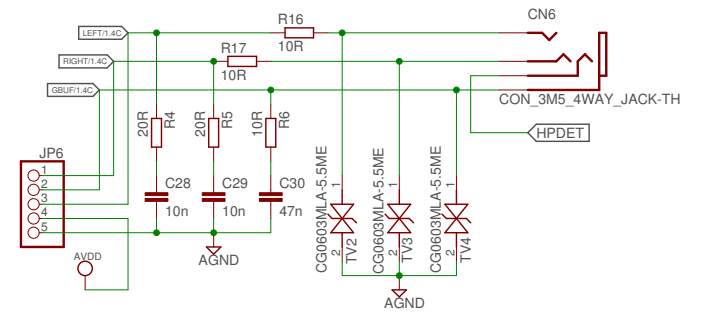
v.1.4.1
 - R5,R6,C29,C30 values fixed
 - powerbutton connection fixed
 v.1.4.2
 - USB host connector error
 - Analog and RAM on separate sheet

Notice! This schematic matches board version 1.4
VS1010Dev1_42
 4.7.2018 14.17
 Sheet: 1/3

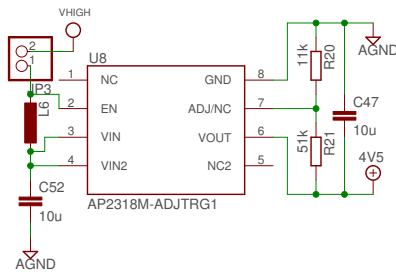
Line in ADC



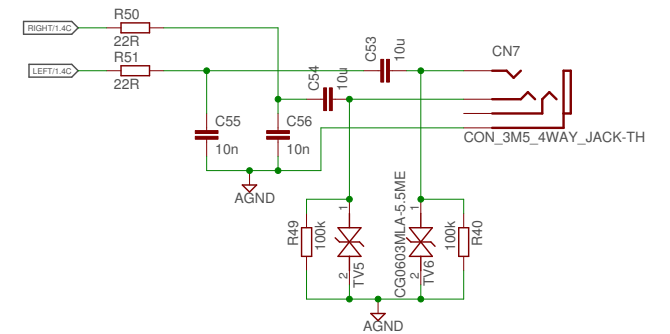
Headphone out



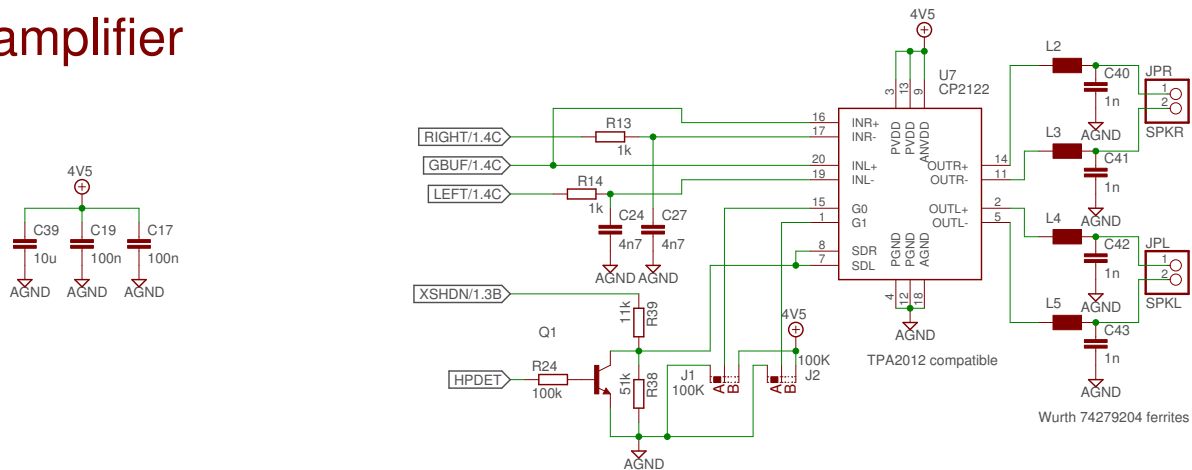
Power supply for amplifier



Line out

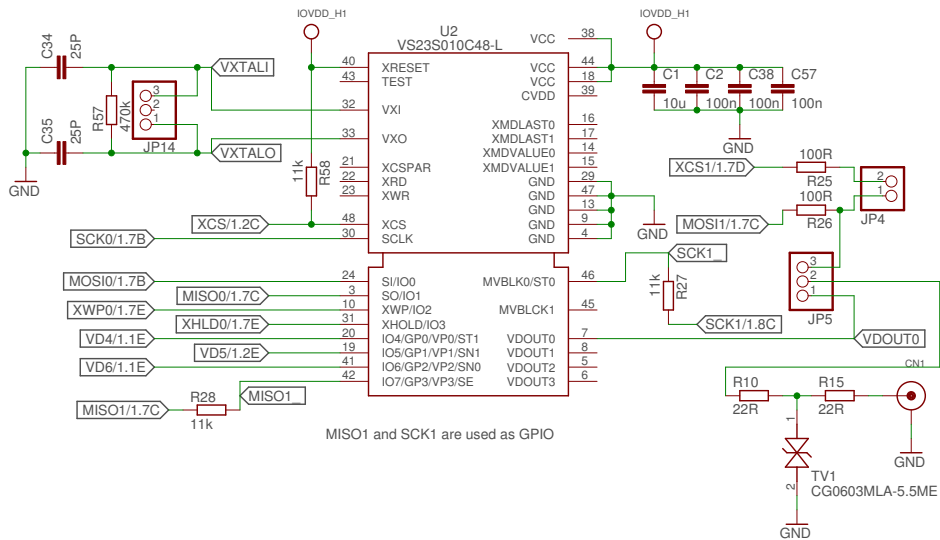


Class D amplifier

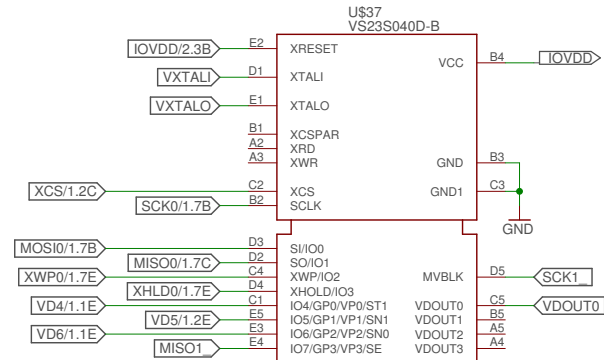


Analogue
VS1010Dev1_42
4.7.2018 14.17
Sheet: 2/3

VS23S010 is populated on VS1010 developer board 1.4. The chip is on the top side.



VS23S040 is not populated on VS1010 developer board 1.4. Footprint is on the bottom side.



Only one of VS23S010 or VS23S040 may be populated.