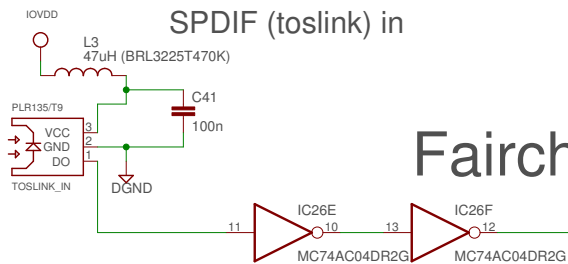


changes v1.4  
-added class D amp  
-removed HDMI pass through

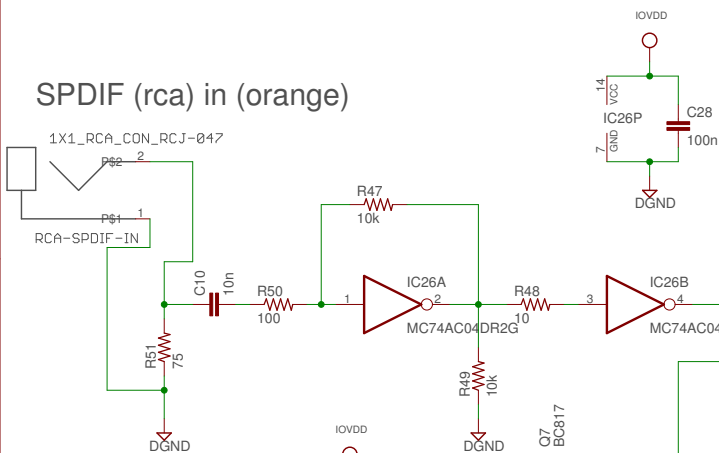
vs1010\_arc\_v14  
19.9.2019 14.25  
Sheet: 1/4

### SPDIF (toslink) in

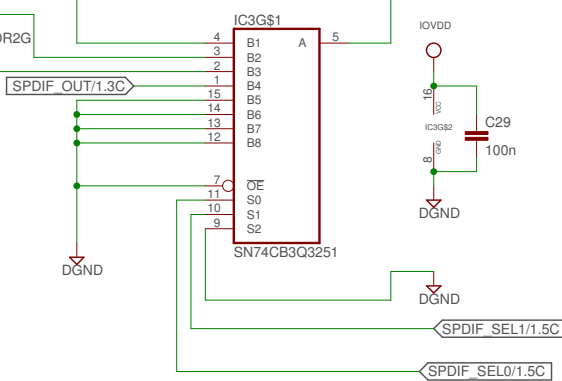


# Fairchild ok, TI will oscillate!

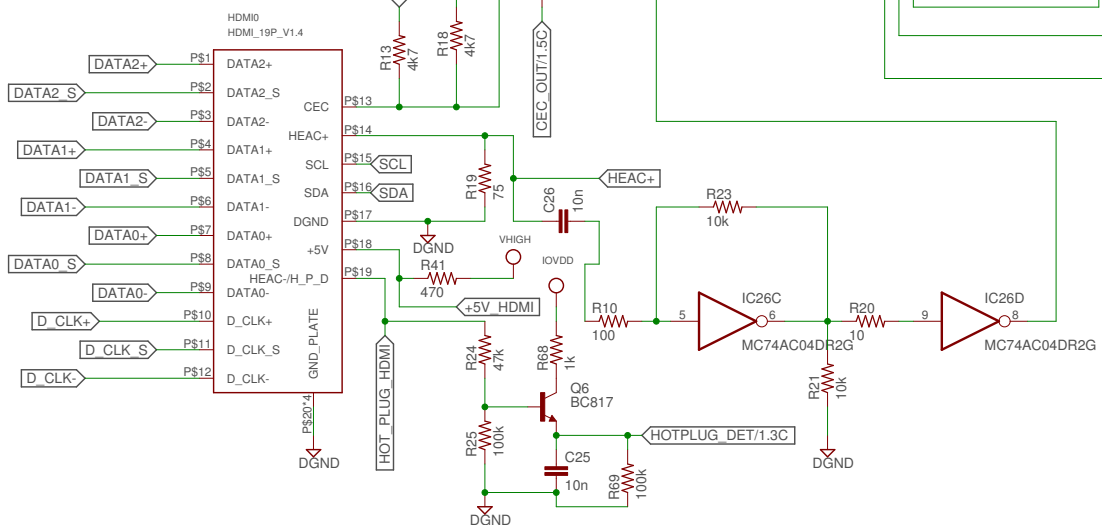
### SPDIF (rca) in (orange)



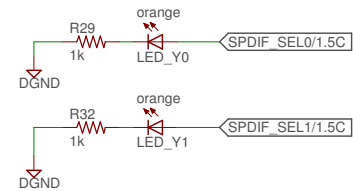
### 4:1 mux



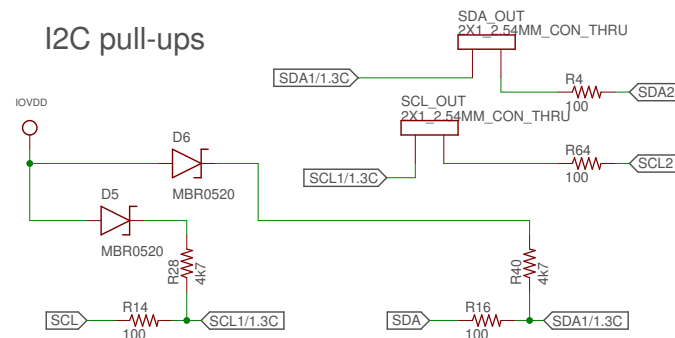
### HDMI connector TV/ARC



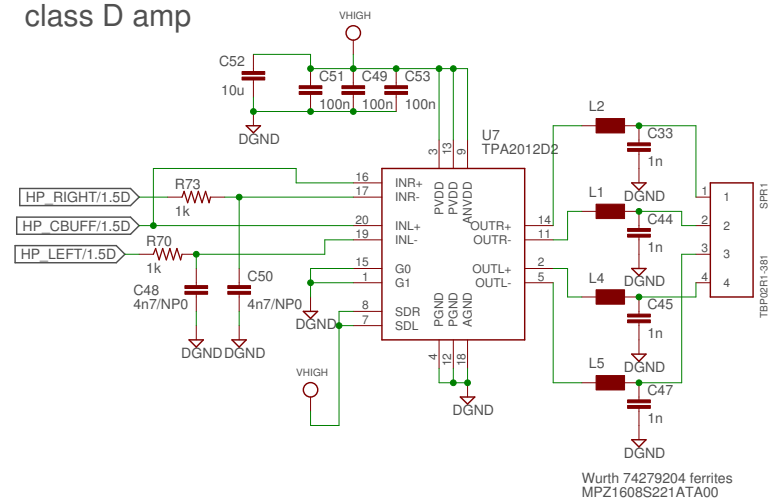
### spdif select line leds



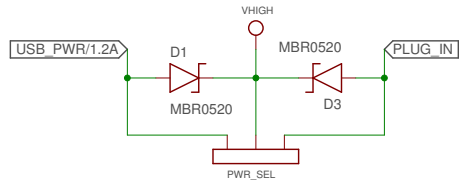
### I2C pull-ups



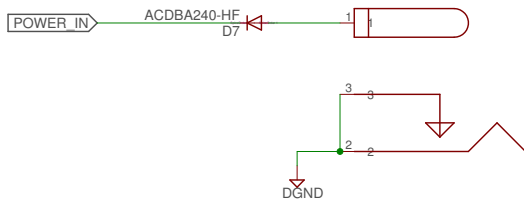
### class D amp



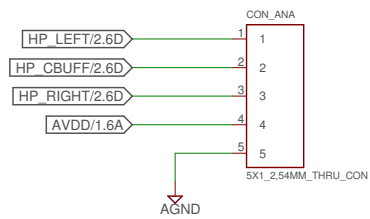
### PWR select



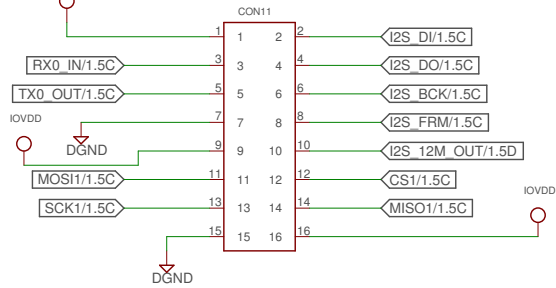
### PWR PLUG 2x5.5mm



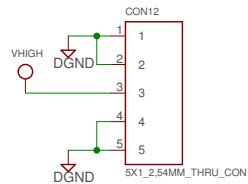
### analog out



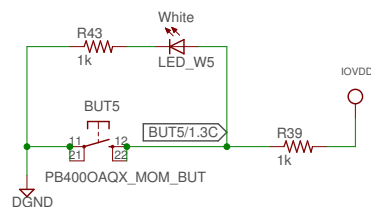
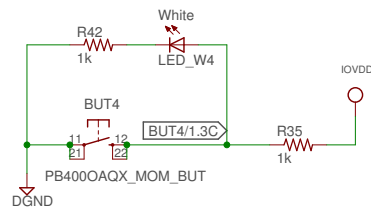
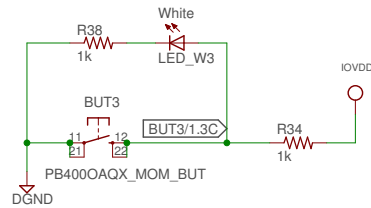
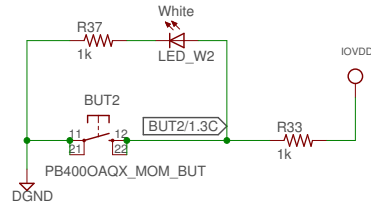
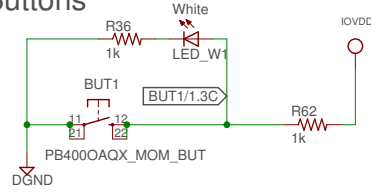
### I2S out



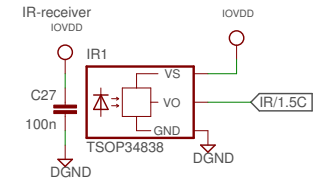
### dummy i2s helper



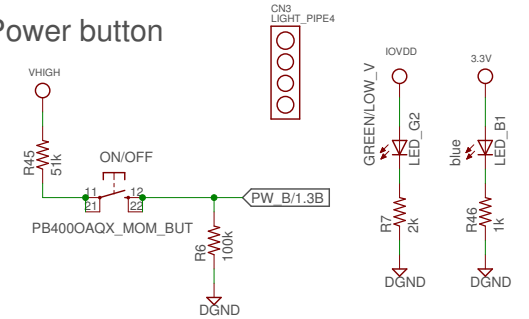
### Buttons



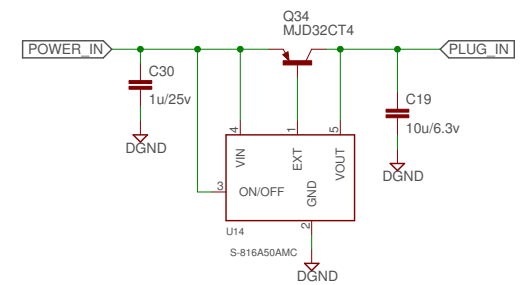
### IR-remote



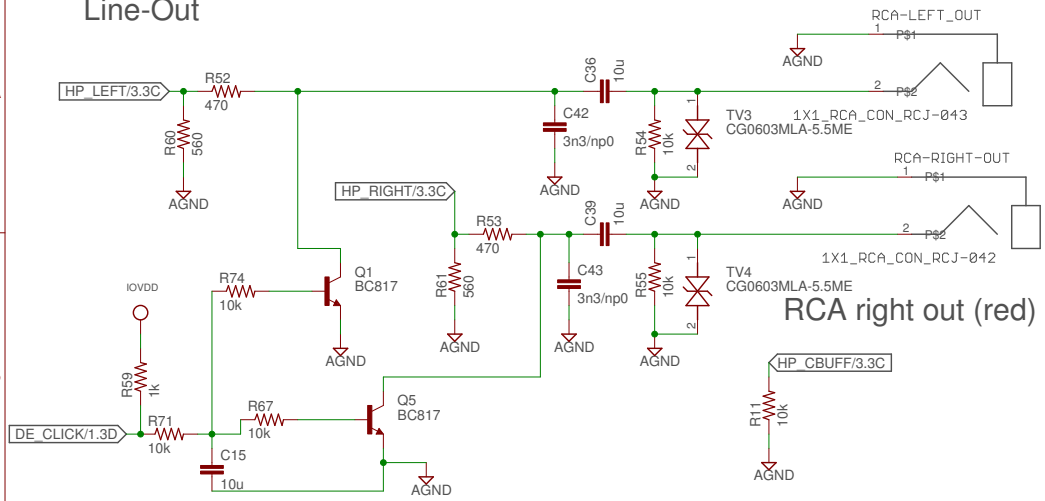
### Power button



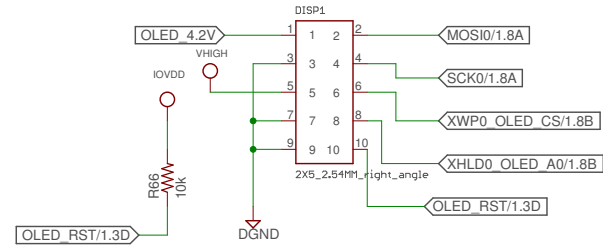
### input plug to 5v, max 16v in



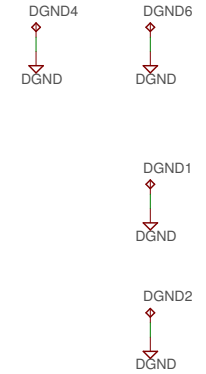
### Line-Out



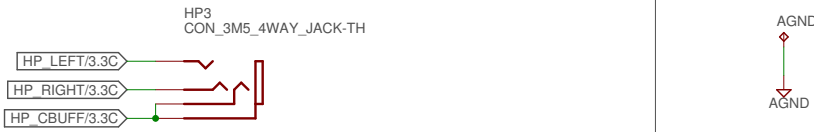
### OLED display (spi)



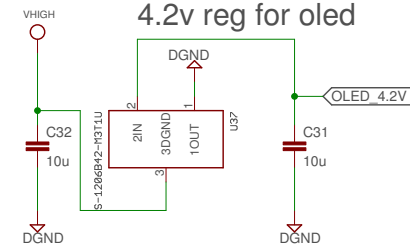
### GND tabs



### Headphones out 3.5mm jack



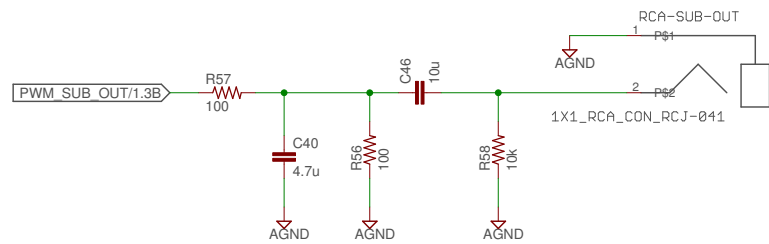
### 4.2v reg for oled



### Sub-Out

### LPF 340Hz

### RCA subwoofer out (black)



### Toslink out

