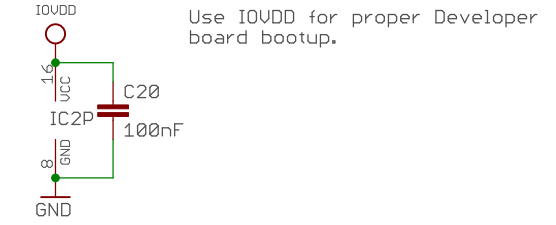
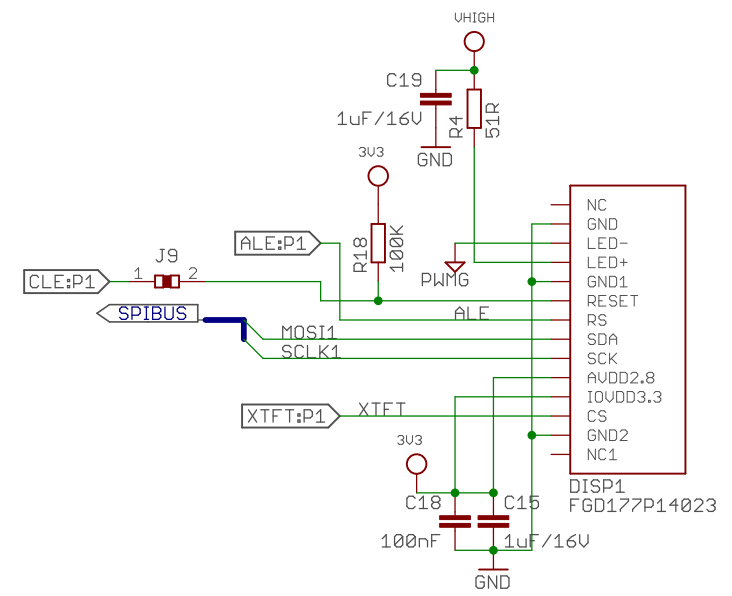
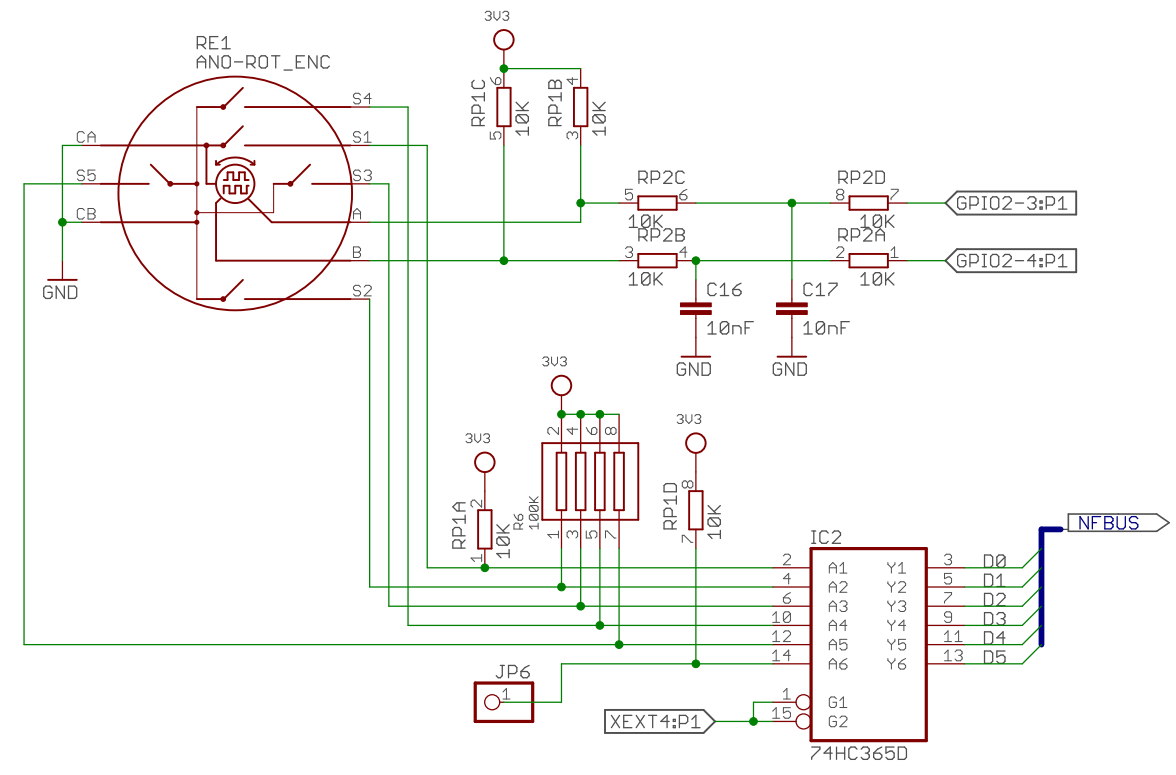
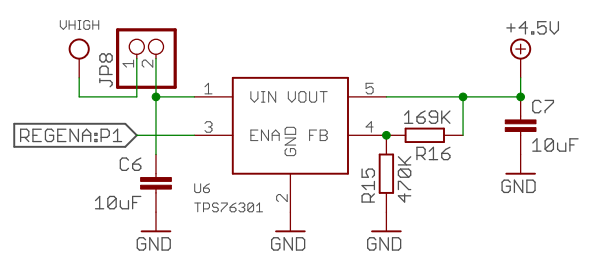
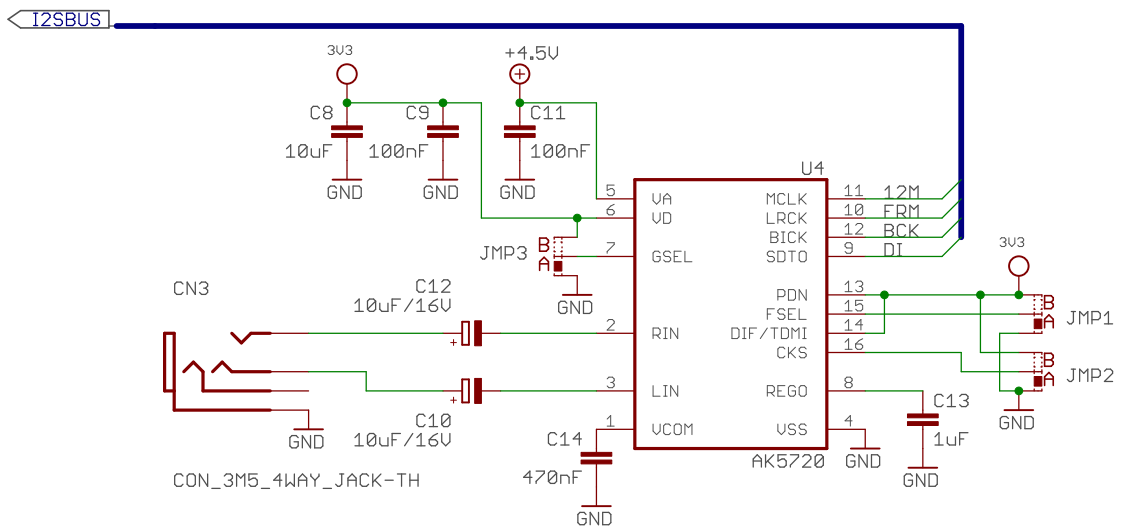
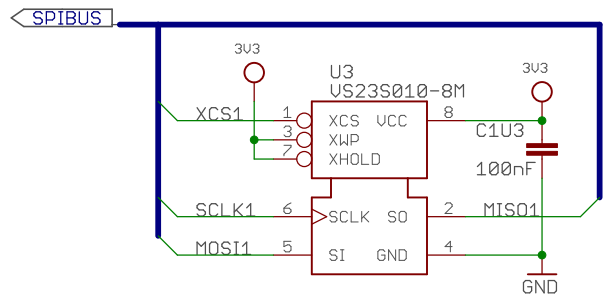


Sync generator default settings:
 + R10A, R10C
 - no R10B
 + R19A, R19C
 - no R19B
 + R21A, C21A
 - no R21B, C21B
 + JMP4A 0 ohm
 - no JMP4B
 + JMP5A 0 ohm
 - no JMP5B

- U.1.1
 - CLE used as xreset for LCD
 - rotary encoder mounting holes updated
 - UGA connector HS/US pinout fixed
 - R14->22K
- U.1.2
 - sync generator improved
 - U8 added
- U.1.2
 - Q1 added, regena improved

VS1005 Dev. Board Extension 1 US23S040 Video	
TITLE: vs1005-dbext1-130	
Document Number:	REV: 1.3
Date: 3.11.2017 16.06	Sheet: 1/2



Use IOVDD for proper Developer board bootup.

U.1.1
 -CLE used as xreset for LCD
 -rotary encoder mounting holes updated

US1005 Dev. Board Extension 1 Mem + Audio + UI	
TITLE: vs1005-dbext1-130	
Document Number:	REV: 1.3
Date: 3.11.2017 16.06	Sheet: 2/2