

US1005

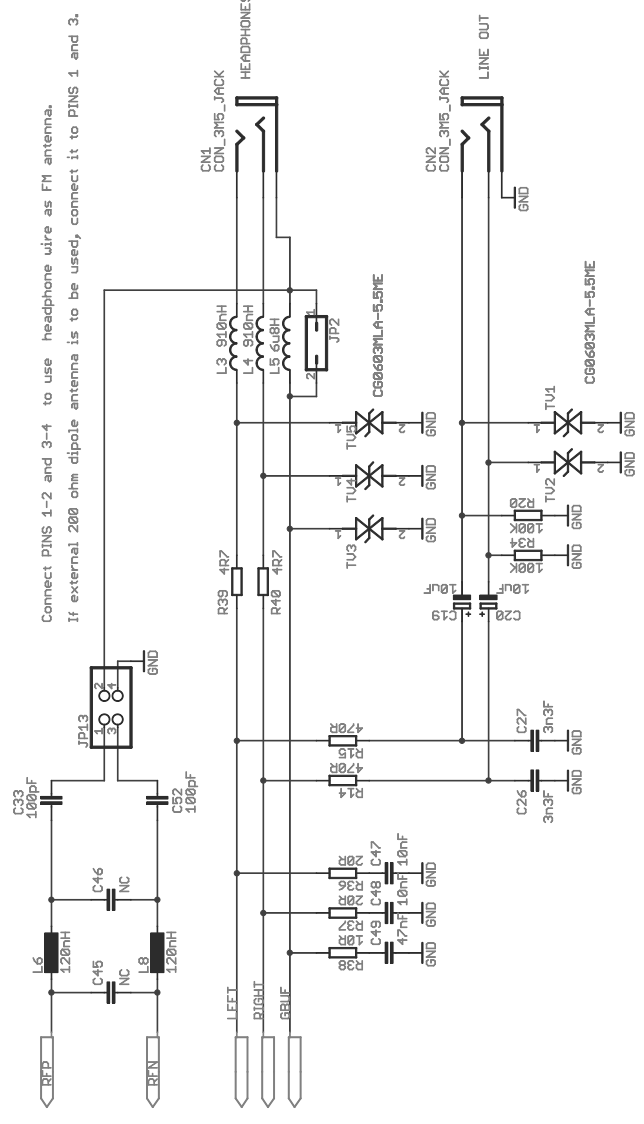
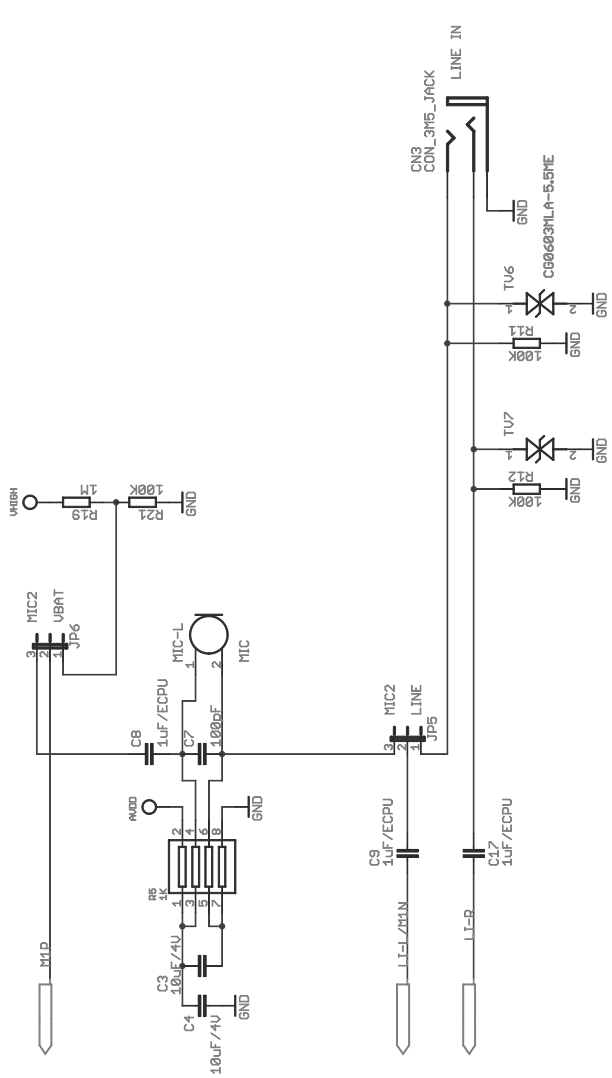
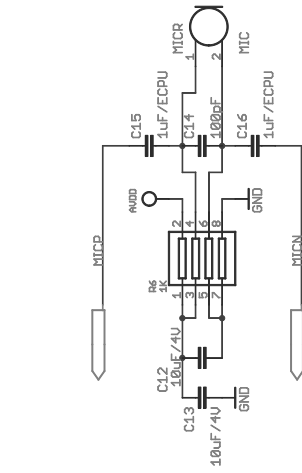
TITLE: vs1005dev15

Document Number: 1

Date: 6/29/2012 13:22:38

REV: 1.5

Sheet: 1/4



Connect PINS 1-2 and 3-4 to use headphone wire as FM antenna.
 If external .200 ohm dipole antenna is to be used, connect it to PINS 1 and 3.

ANALOG I/O

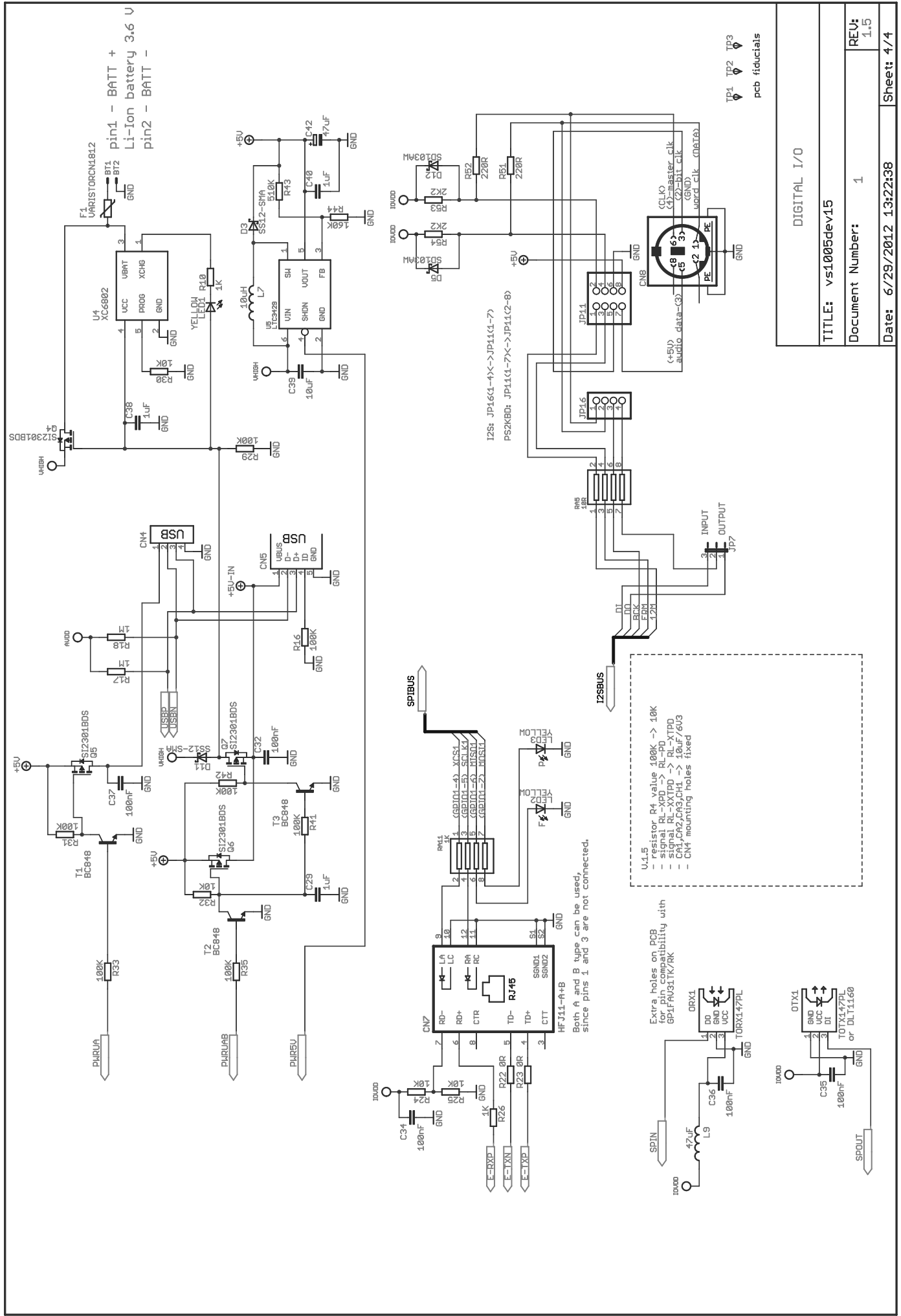
TITLE: vs1005dev15

Document Number: 1

REV: 1.5

Date: 6/29/2012 13:22:38

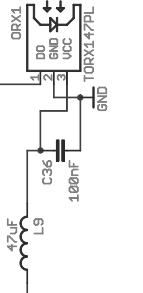
Sheet: 2/4



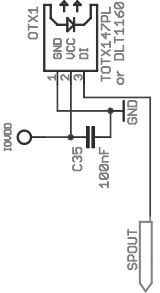
DIGITAL I/O	
TITLE:	vs1005dev15
Document Number:	1
Date:	6/29/2012 13:22:38
REV:	1.5
Sheet:	4/4

- resistor R4 value 100k -> 10k
- signal RL-XPD -> RL-PD
- signal RL-XTPD -> RL-XTPD
- CN1, CN2, CN3, CN4 -> 100uF/6V3
- CN4 mounting holes fixed

Extra holes on PCB for pin compatibility with 6P4FAV31TK/RK



Both A and B type can be used, since pins 1 and 3 are not connected.



TP1 TP2 TP3
pcb fiducials