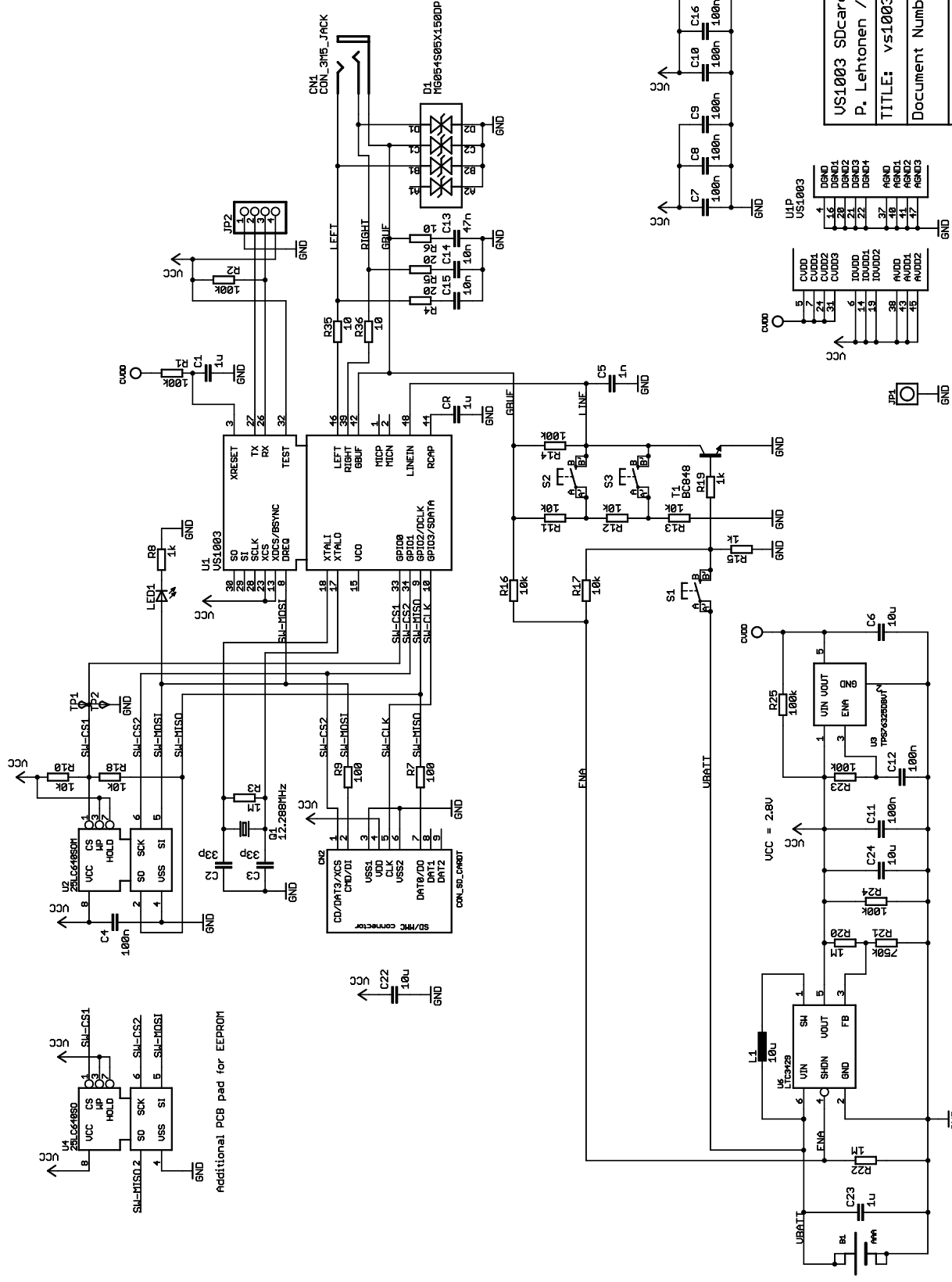


US1003 SDCard Mini Player



Revisions:
 0.2 - initial release
 0.3 - added R25

US1003 SDCard Mini Player P. Lehtonen / ULSI Solution Oy 2008 TITLE: vs1003_sdcard_mini_player_rev03 Document Number:
REV: 0.3
Date: 11/19/2008 15:23:10
Sheet: 1/1