

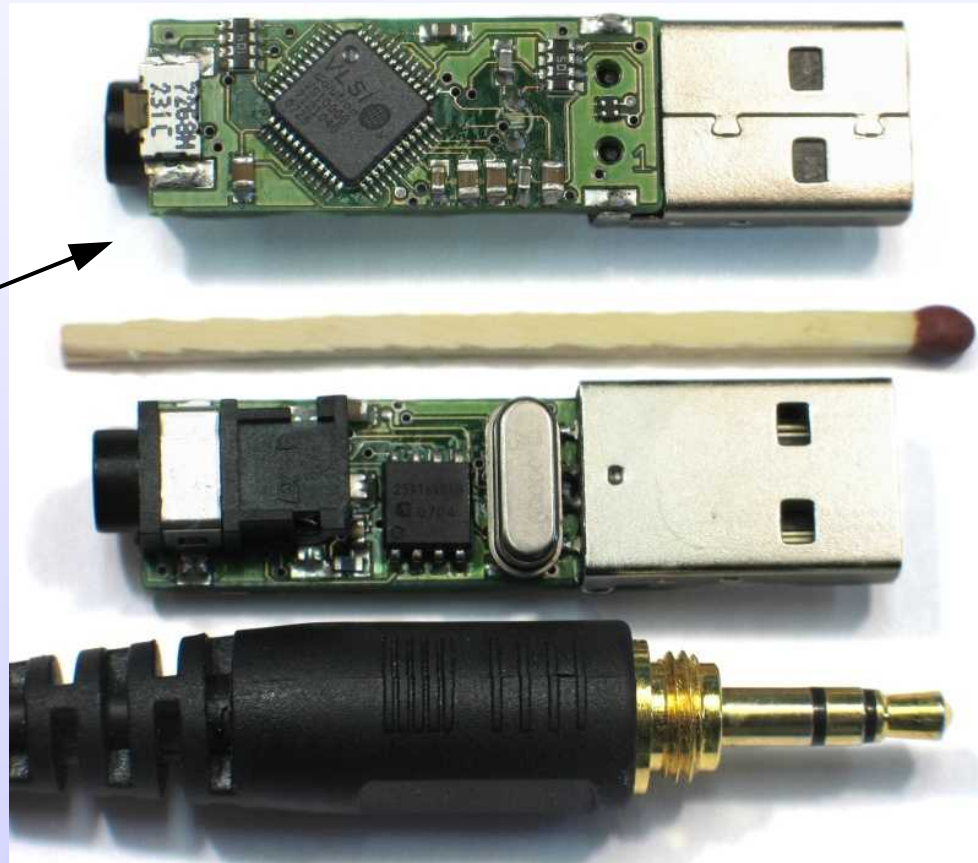


VS1000 TinyPlayer

USB Memory Stick +
USB Headphones +
Music Player

Features small size,
high performance and low cost

48 x 12 mm



Three- in- one functionality

1) Low cost USB memory stick

- supports SPI Serial Flash from 8 kbytes to 16 Mbytes
- supports standard USB Mass Storage Device *
- no driver required

2) Standard USB Audio Device

- USB stereo headphones
- no driver required

3) Ogg Vorbis audio player

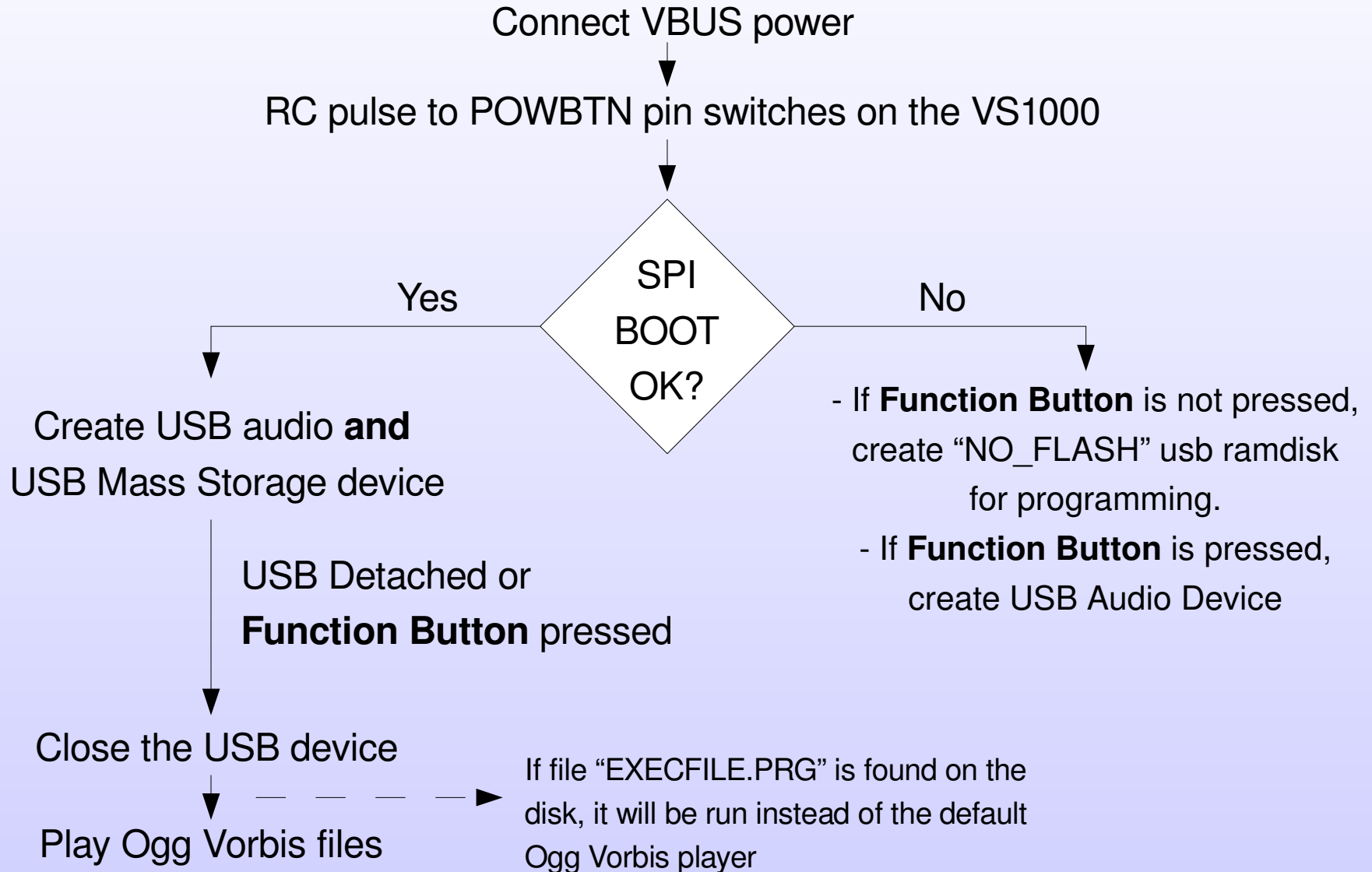
*) For writable USB disk a SPI flash with 4K erasable sector size is needed

Applications

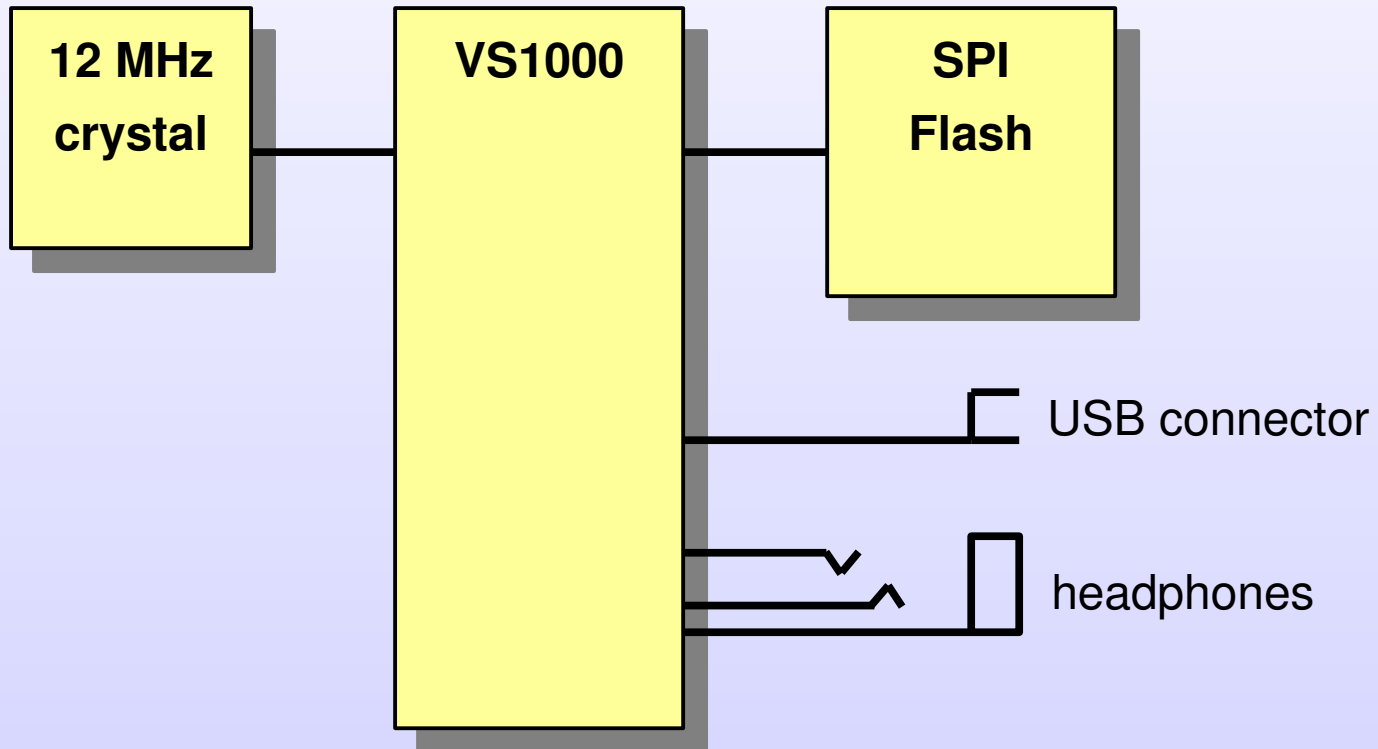
- Can be embedded in a product to support
 - plug-and-play drivers
 - manuals
 - audio
- Sales of audio content
 - new records
 - tourist guide
 - interactive toy
 - miniature music player
- Other
 - Configuration data storage
 - USB Headphones
 - USB Desktop Speakers
 - VOIP Phones



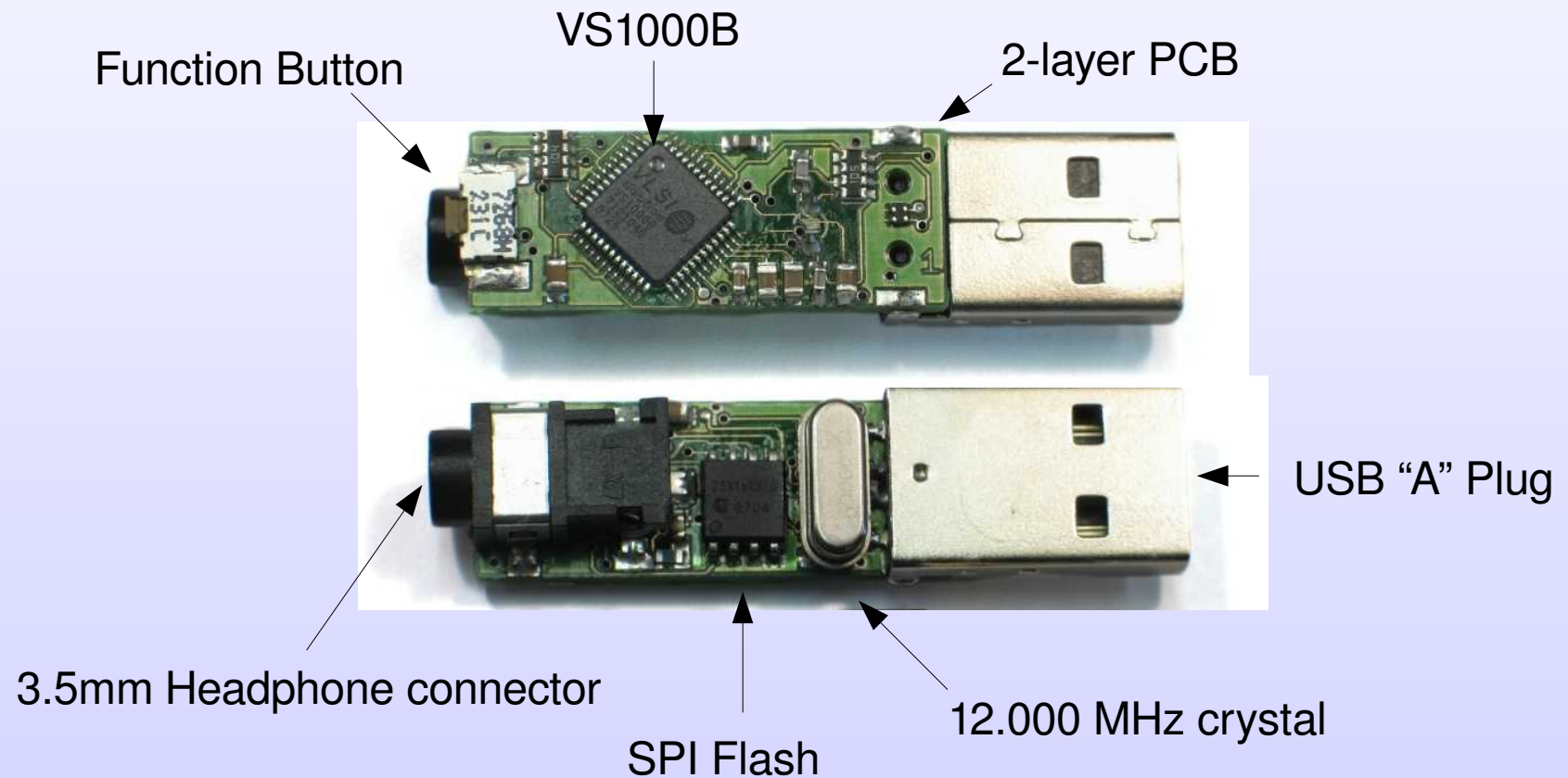
Operation



Block Diagram



Board layout



Technical support

- Circuit schematic, Gerber files and boot image of TinyPlayer are available at <http://www.vlsi.fi/en/support/evaluationboards/vs1000TinyPlayer.html>
- VS1000 Developer Board can be used to develop **custom** boot image for TinyPlayer.
- Technical support is helping you at support@vlsi.fi
- Code examples and programming tools of VS1000 are available at <http://www.vlsi.fi/en/support.html>
- IDE available soon

VS1000 Developer Board

